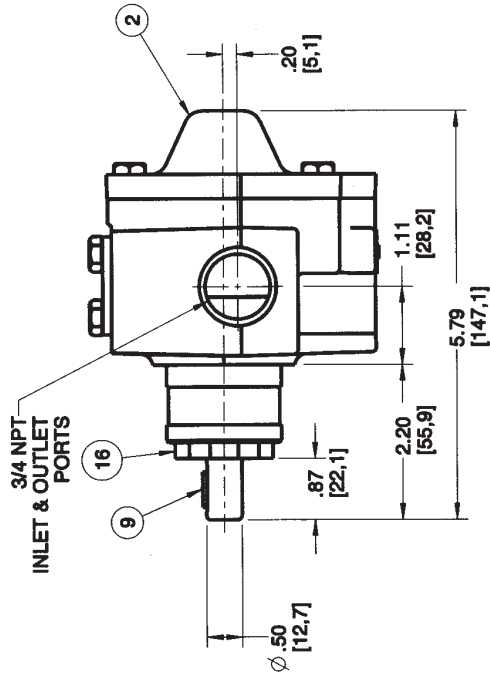


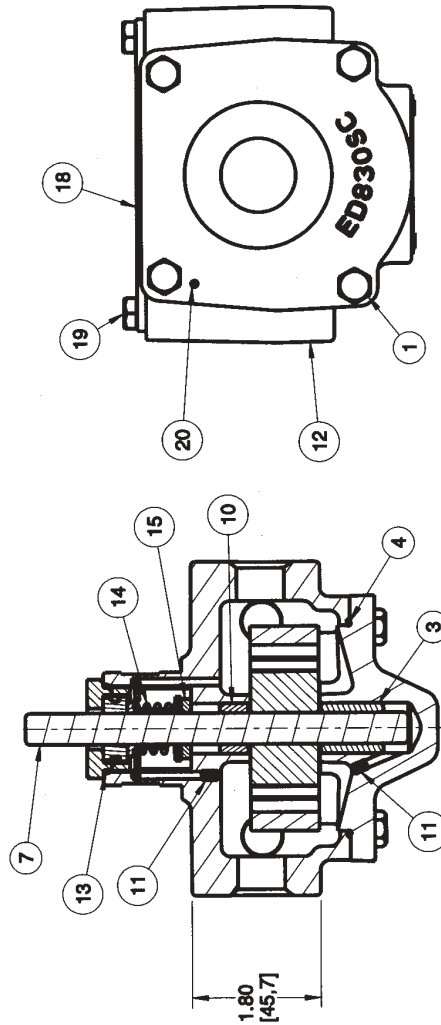
**9US (STAINLESS SERIES)-9 GPM HAIGHT PUMP**

| Item | Part Number | Description             | Qty. |
|------|-------------|-------------------------|------|
| 1    | E90HS.8     | Screw, Cover            | 4    |
| 2    | ED830S      | Cover                   | 1    |
| 3    | E11G        | Bearing                 | 1    |
| 4    | SE2041V76   | O-Ring, Cover           | 1    |
| 5    | ED826S1     | Rotor                   | 1    |
| 6    | D9S13PKS    | Shaft & Pinion Assembly | 1    |
| 7    | D814PKS     | Shaft                   | 1    |
| 8    | ED915S1     | Pinion                  | 1    |
| 9    | E13C50      | Key 1/8 Sq X 1/2 Lg     | 1    |
| 10   | E11G2       | Bearing                 | 1    |
| 11   | E49SS       | Set Screw, Vent         | 2    |
| 12   | ED83S7      | Case                    | 1    |
| 13   | E24SV       | O-ring-Gland            | 1    |
| 14   | E18BMVS     | Shaft Seal              | 1    |
| 15   | E11TBV      | Thrust Washer           | 1    |
| 16   | E22SS3S4    | Gland                   | 1    |
| 17   | SE2018V76   | O-Ring, Cover Plate     | 2    |
| 18   | ED530SP     | Cover Plate             | 1    |
| 19   | E90HS.5     | Screw, Cover Plate      | 4    |
| 20   | E41S        | Pin                     | 1    |

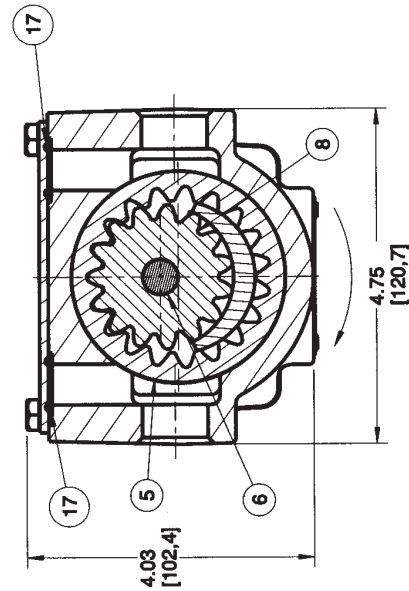


**Right Side View**

**9US - 9 GPM  
Stainless Universal Pump**

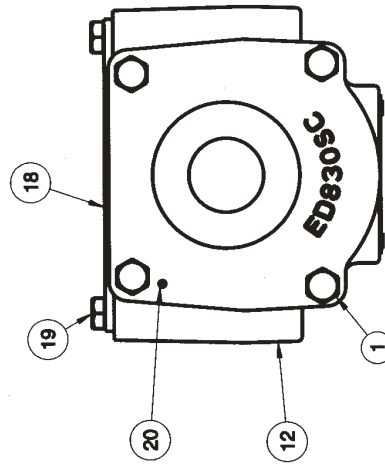


**Cutaway View  
Top**



Rotation Arrow Denotes  
Standard Clockwise Rotation

**Cutaway View  
Shaft End**



**Cover End  
View**