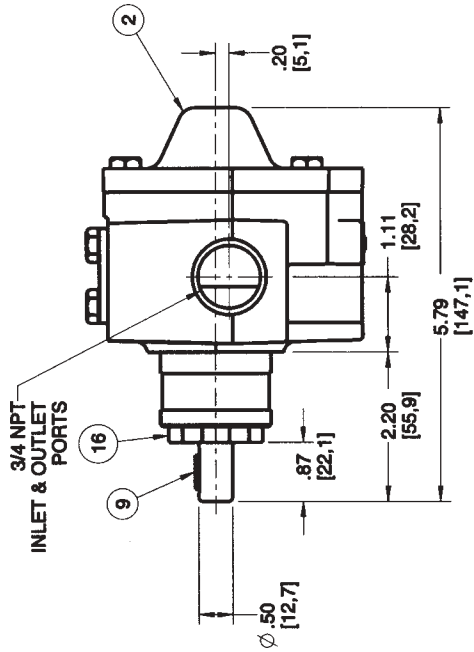


8US - 8 GPM Stainless Universal Pump

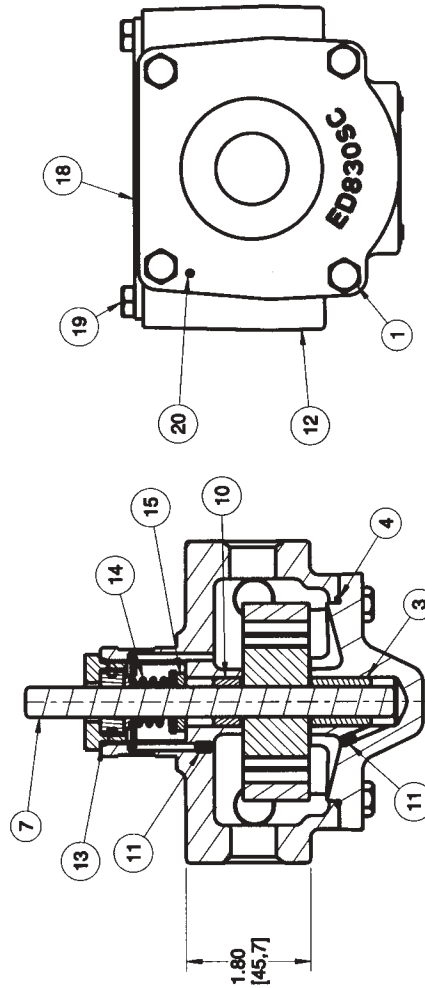
8US (STAINLESS SERIES)-8 GPM HAIGHT PUMP

Item	Part Number	Description	Qty.
1	E90HS.6	Screw, Cover	4
2	ED830S	Cover	1
3	E11G	Bearing	1
4	SE2041V76	O-Ring, Cover	1
5	ED826S1	Rotor	1
6	D8S13PKS	Shaft & Pinion Assembly	1
7	D814PKS	Shaft	1
8	ED815S1	Pinion	1
9	E13C50	Key 1/8 Sq X 1/2 Lg	1
10	E11G2	Bearing	1
11	E49SS	Set Screw, Vent	2
12	ED83S7	Case	1
13	E24SV	O-ring-Gland	1
14	E18BMVS	Shaft Seal	1
15	E11TBV	Thrust Washer	1
16	E22SS3S4	Gland	1
17	SE2018V76	O-Ring, Cover Plate	2
18	ED630SP	Cover Plate	1
19	E90HS.5	Screw, Cover Plate	4
20	E41S	Pin	1

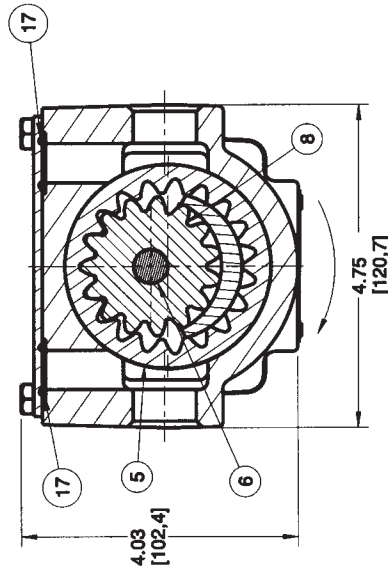


Right Side View

8US - 8 GPM Stainless Universal Pump

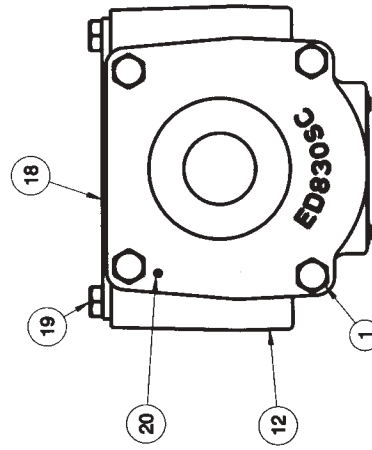


Cutaway View
 Top



Rotation Arrow Denotes
 Standard Clockwise Rotation

Cutaway View
 Shaft End



Cover End
 View