

HAGHT PUMPS

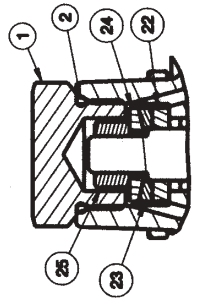
DIVISION OF: BAKER MANUFACTURING COMPANY

133 Enterprise Street • Evansville, WI 53536
 Phone: 800-871-9250 • Fax: 608-882-3777

15URS - 15 GPM Stainless Universal Pump

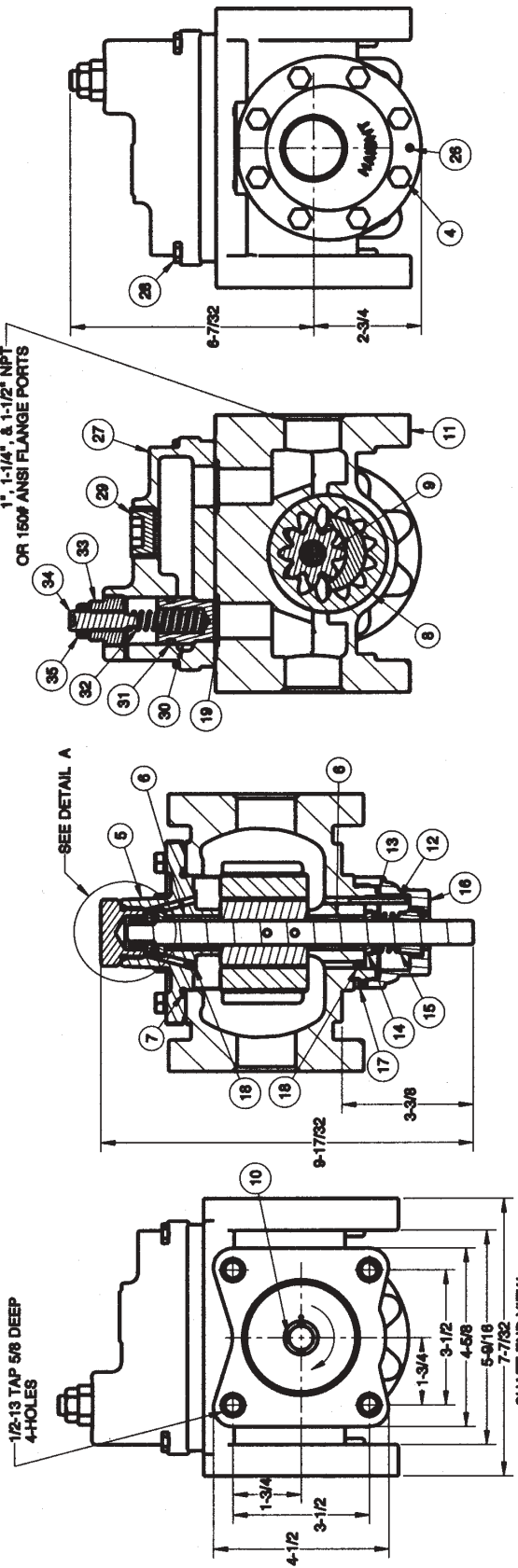
15USR - 15 GPM HAIGHT STAINLESS PUMP WITH RELIEF VALVE

Item	Part No.	Description	Qty.	Item	Part No.	Description	Qty.
1	SAE16S	Screw On Plug	1	18	E49ES	Set Screw, Vent	2
2	SE3016V76	O-Ring, Plug	1	19	SE2122V76	O-Ring, Valve Body	2
4	F90HS.8	Screw, Cover	8	22	F11TBV	Thrust Washer	1
5	D1530S11	Cover	1	23	F25S5	Spherical Washer	1
6	F11G	Bearing	2	24	F25S4	Spherical Washer	1
7	F28V	O-Ring, Cover	1	25	ZA532S	Nut	1
8	D1526AF	Rotor	1	26	F41S	Pin	1
9	D15C13S14	Shaft & Pinion Assembly	1	27	FD55SS	Valve Body	1
10	F18C75	Key, 3/16 Sq X 3/4 Lg	1	28	E90HS1.2	Screw	4
11	D203S1L	Case	1	29	F65S	Pipe Plug	1
12	F49S1	Pin	1	30	RV706S	Piston	1
13	SE2137V76	O-Ring, Gland	1	31	F92V	O-Ring, Piston	1
14	F11TBV	Thrust Washer	1	32	H52M	Spring	1
15	F18BMV	Shaft Seal	1	33	F56S1	Bonnet	1
16	F225S2S	Gland	1	34	F55S	Adjustment Screw	1
17	E49DS	Set Screw, Gland	1	35	E64JS	Nut	1



DETAIL A

15URS - 15 GPM Stainless Universal Pump



COVER END VIEW

CUTAWAY VIEW
 SHAFT END

CUTAWAY VIEW
 BOTTOM

SHAFT END VIEW
 ROTATION ARROW DENOTES
 STANDARD CLOCKWISE ROTATION