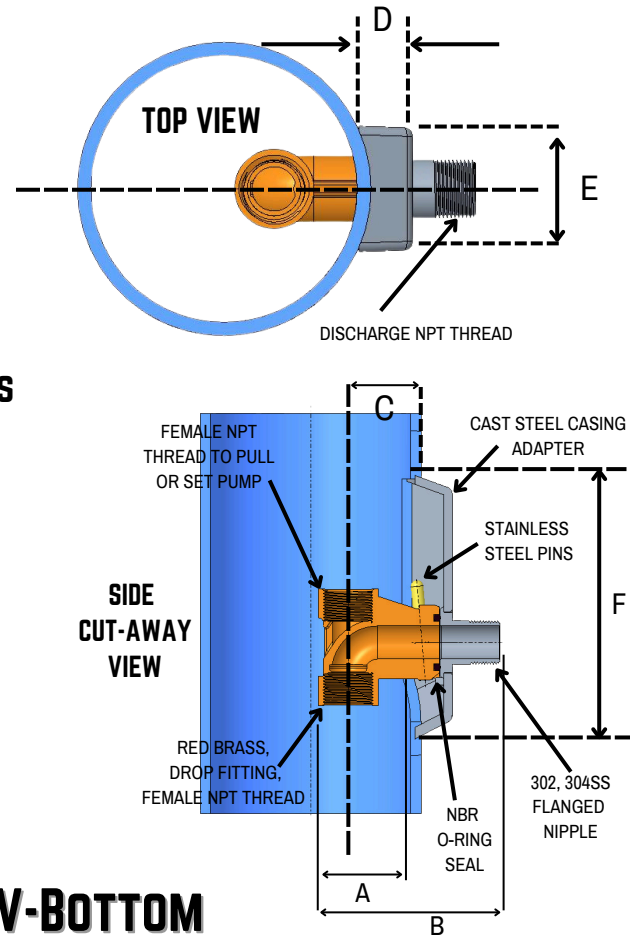




BEZ WELD-ON PITLESS ADAPTERS

FEATURES:

- 302,304 STAINLESS STEEL PINS
- 302,304 STAINLESS STEEL FLANGE DISCHARGE NIPPLE
- CAST STEEL CASING FITTING FOR 1" & 1-1/4" ADAPTERS
- FABRICATED STEEL CASING FITTING FOR 3" & 4" ADAPTERS
- NBR O-RING SEALS
- C89844 LEAD FREE BRASS FOR 1", 1-1/4" & 2" ADAPTERS
- C89833 LEAD FREE BRASS FOR 3" & 4" ADAPTERS
- 8123BEZLF & 10144BEZLF ARE AIS COMPLIANT
- PRESSURE RATED AT 100 PSI
- DESIGNED, FABRICATED, AND ASSEMBLED IN THE USA
- NSF/ANSI 372 CERTIFIED
- CONFORMS TO WATER SYSTEMS COUNCIL PAS-97 (2019)



WELD-ON | FLAT-BOTTOM | V-BOTTOM

Model #:	Weight	A	B	C	D	E	F	Drop NPT Size	Discharge NPT Size	Fits Well Casing
6123BEZLF	6#	2.77	5.44	1.87	1.21	2.83	7.85	1" female NPT	1" male NPT	4", 5", 6" ID, 7" OD
6123FBEZLF Flat Bottom	6#	2.77	5.44	1.87	1.21	2.83	7.41	1" female NPT	1" male NPT	4", 5", 6" ID, 7" OD
6125BEZLF	7.4#	2.62	5.3	1.55	1.4	3.09	8.69	1-1/4" female NPT	1-1/4" male NPT	4", 5", 6" ID, 7" OD
6125FBEZLF Flat Bottom	7.4#	2.62	5.3	1.55	1.4	3.09	8.08	1-1/4" female NPT	1-1/4" male NPT	4", 5", 6" ID, 7" OD
62FBEZLF Flat Bottom	13#	3.87	6.65	2.41	1.41	4.22	9.45	2" female NPT	2" male NPT	6" ID, 7" OD, 8" ID
8123FBEZLF Flat Bottom	27#	5.5	9.77	3.34	2.01	5.87	14.59	3" female NPT	3" male NPT	8", 10", & 12" ID
10144BEZLF	48.5#	6.47	11	3.9	2	7.25	18	4" female NPT	4" male NPT	10", 12" ID, & 14" OD

Baker Water Systems
 133 Enterprise St., Evansville, WI 53536
 (800) 356-5130
 bakerwatersystems.com
 bws@baker-mfg.com

