

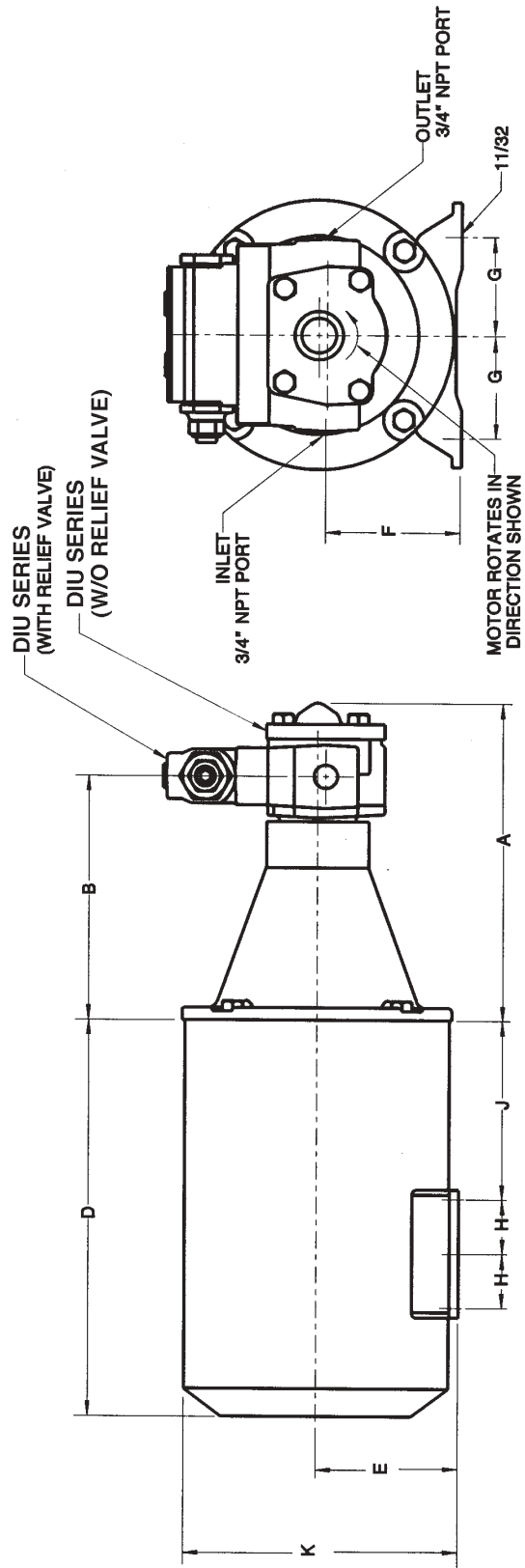
Z56RO Bracket for 1-8 gpm Round Hub Pumps with 56-145 frame footed motor

Z56RO Bracket for 1-8 GPM Round Hub Pumps

MODEL	A	B	D	E	F	G	H	J	K
1U	7 13/16	5-15/16							
3U	7 13/16	5-15/16							
5U	8	5-15/16							
6U	8 5/16	6							
8U	8 7/16	6							
FRAME	48		9 3/8	3	2 13/16	2 1/8	1 3/8	2 5/16	5 13/16
	56		9 3/4	3 1/2	3 5/16	2 7/16	1 1/2	2 9/16	6 3/4

"D" Dimension will vary with motor enclosure

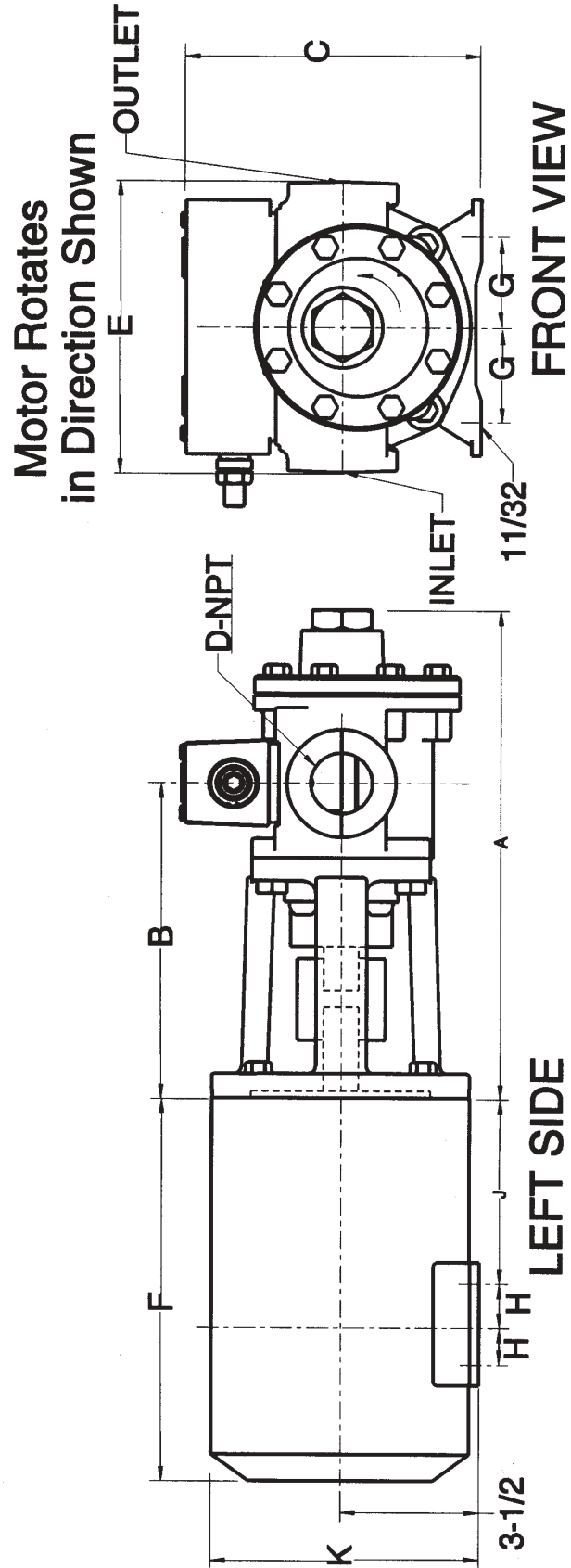
**Z56RO Bracket
for 1-8 GPM Round Hub Pumps**



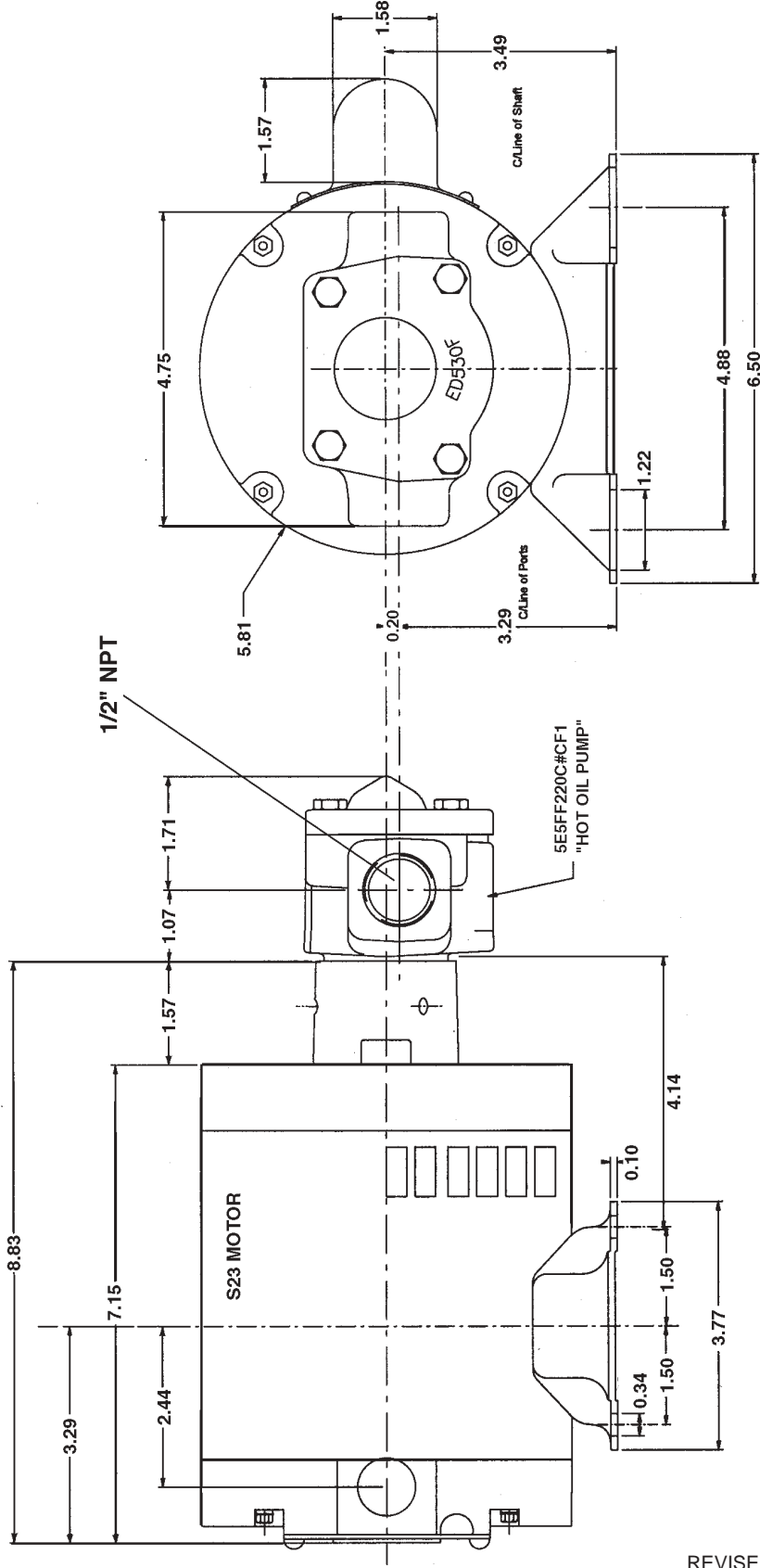
Z56SO Bracket for 10-40 gpm Square Flanged Pumps with 56-145 frame footed motor

	A	B	C	D	E	F	G	H	J	K
MODEL	10U	8-1/16	7-13/32	1	7					
	15U	8-1/16	7-13/32	1-1/4	7					
	20U	8-1/16	7-13/32	1-1/4	7					
	22U	8-1/32	7-13/32	1-1/2	7-3/8					
	30U	8-1/32	7-13/32	1-1/2	7-3/8					
	40U	8-1/32	7-13/32	1-1/2	7-3/8					
FRAME	56					9-3/4	2-7/16	1-1/2	2-8/16	6-3/4
	143					10	2-3/4	2	2-3/4	6-13/16
	145					10	2-3/4	2-1/2	2-3/4	6-13/16

**Z56SO Bracket for
10-40 GPM Square Flanged Pumps**



**5E Pump
& Motor Assembly**



Front View

Right Side

REVISED 2-1-02



DIVISION OF: BAKER MANUFACTURING COMPANY

133 Enterprise Street • Evansville, WI 53536
Phone: 800-871-9250 • Fax: 608-882-3777

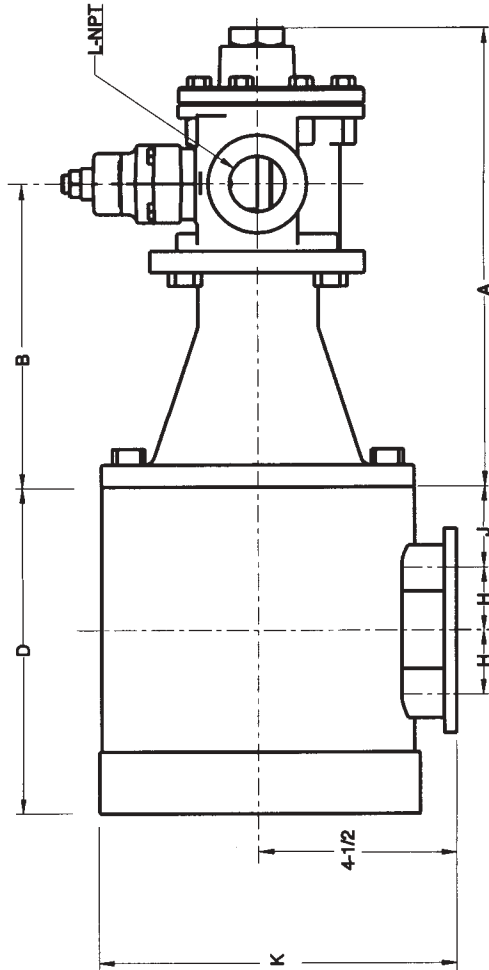
Z182S Bracket for 10-40 GPM Square Flanged Pumps

Z182S Bracket for 10-40 gpm Square Flanged Pumps with 182/184 frame footed motor

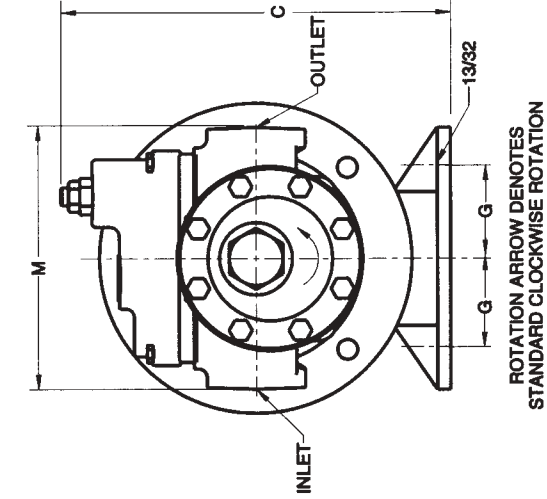
Z182S Bracket For 10-40 GPM Square Flanged Pumps

	A	B	C	L	M	D	G	H	J	K
10UR	12-7/8	8-19/32	9-31/32	1	7					
15UR	12-7/8	8-19/32	9-31/32	1-1/4	7					
20UR	12-7/8	8-19/32	9-31/32	1-1/4	7					
22UR	13	8-9/16	9-31/32	1-1/2	7-3/8					
30UR	13	8-9/16	9-31/32	1-1/2	7-3/8					
40UR	13	8-9/16	9/31/32	1-1/2	7-3/8					
FRAME						*	3-3/4	2-1/4	3-1/2	8-3/4
						*	3-3/4	2-3/4	3-1/2	8-3/4

* *D* VARIES WITH FRAME USED



LEFT SIDE



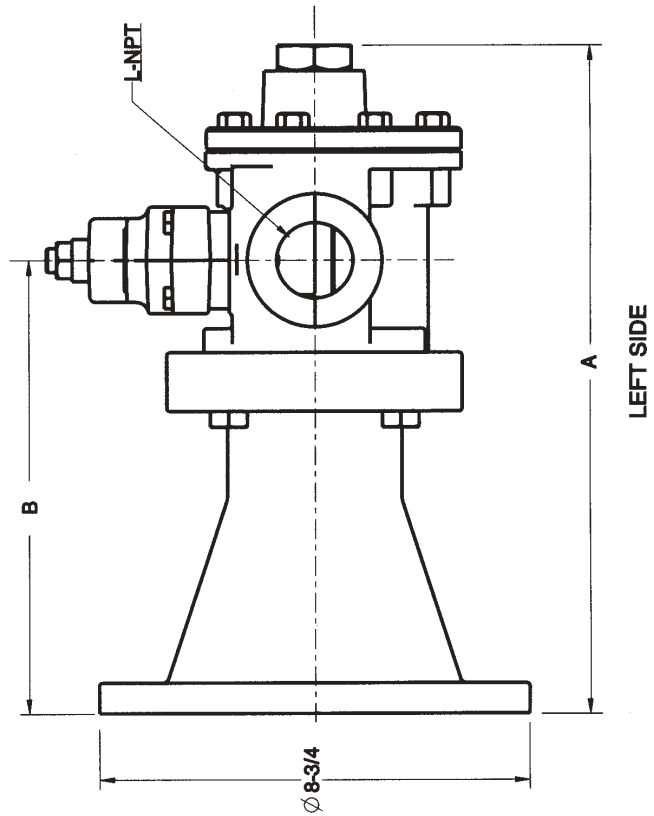
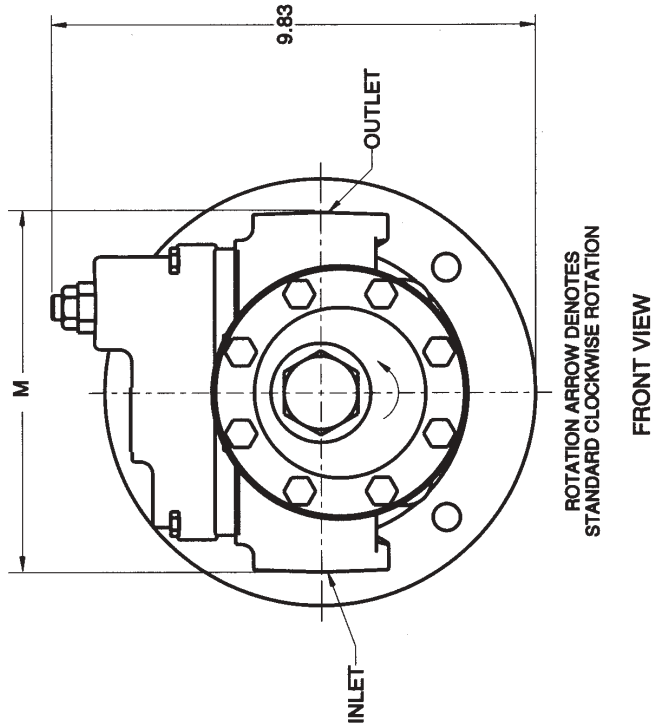
FRONT VIEW

Z182S Bracket for 10-40 GPM Square Flanged Pumps

Z213S Bracket For 10-40 GPM Square Flanged Pumps

MODEL	A	B	L	M
10UR	13-15/32	9-7/32	1	7
15UR	13-15/32	9-7/32	1-1/4	7
20UR	13-15/32	9-7/32	1-1/4	7
22UR	13-19/32	9-3/16	1-1/2	7-3/8
30UR	13-19/32	9-3/16	1-1/2	7-3/8
40UR	13-19/32	9-3/16	1-1/2	7-3/8

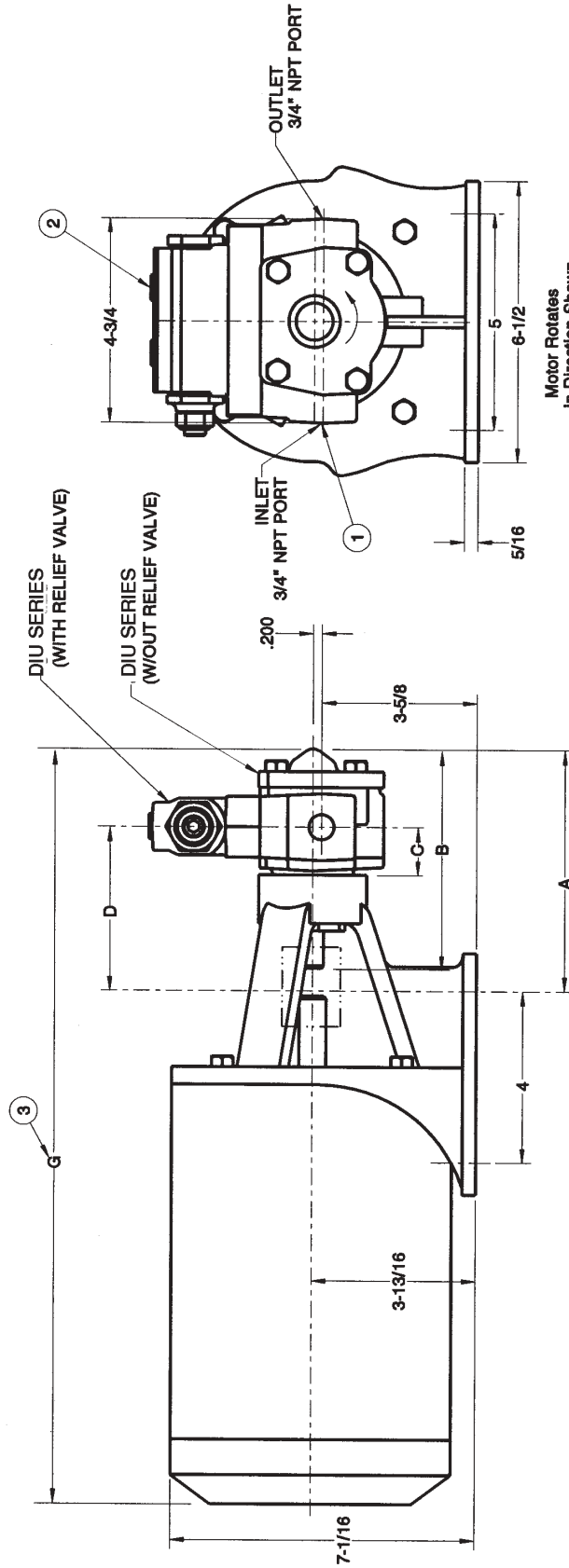
**Z213S Bracket for 10-40 GPM
Square Flanged Pumps**



PUMP MODEL	DIMENSION "G"				
	1U	3U	5U	6U	8U
48	17-3/16	17-3/16	17-3/8	17-13/16	18
56	17-9/16	17-9/16	17-7/16	18-3/16	18-3/8

PUMP MODEL	A	B	C	D
1U	5-5/8	5-1/8	1-3/16	3-7/8
3U	5-5/8	5-1/8	1-3/16	3-7/8
5U	5-13/16	5-5/16	1-3/16	3-7/8
6U	6-1/4	5-3/4	1-1/8	3-13/16
8U	6-7/16	5-15/16	1-1/8	3-13/16

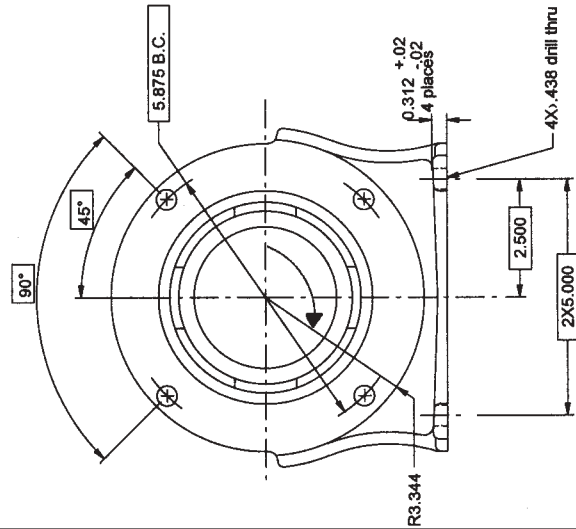
- ① 3/4 in. IPT ports standard- 1/2 in. IPT ports on order.
- ② Relief valve pipe plugs 3/8 in. IPT- same for tank return port.
- ③ G varies with motor enclosure.



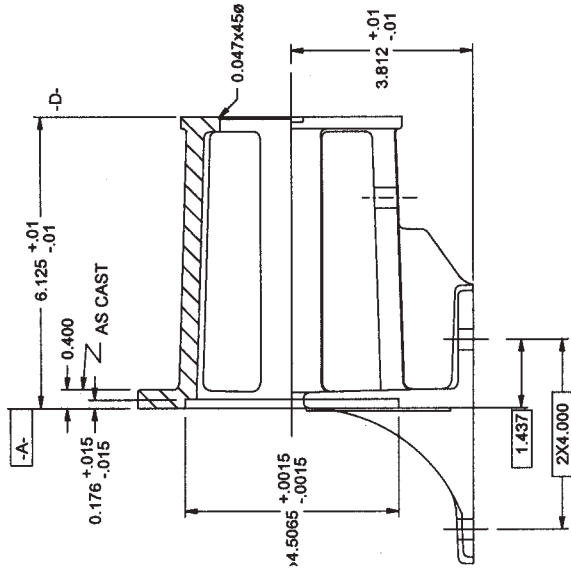
FRONT VIEW
Motor Rotates
In Direction Shown

LEFT SIDE

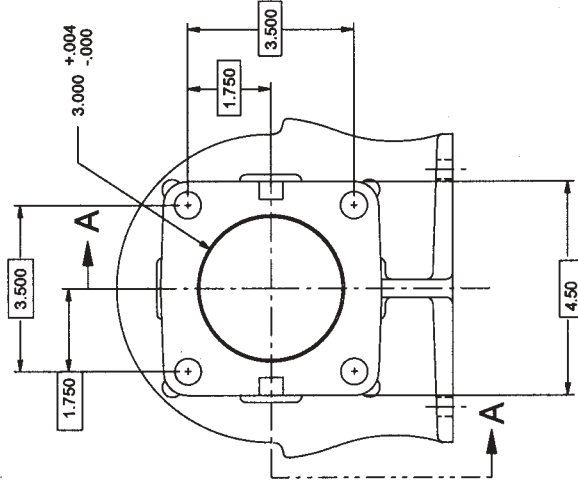
**Motor End
Of Bracket**



Right Side



**Pump End
of Bracket**

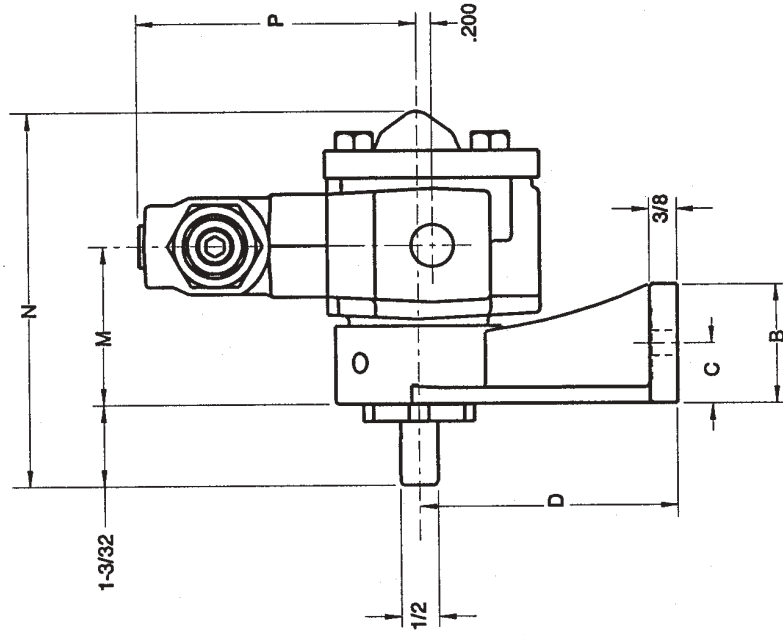


**Rotation Arrow Denotes
Standard Clockwise Rotation**

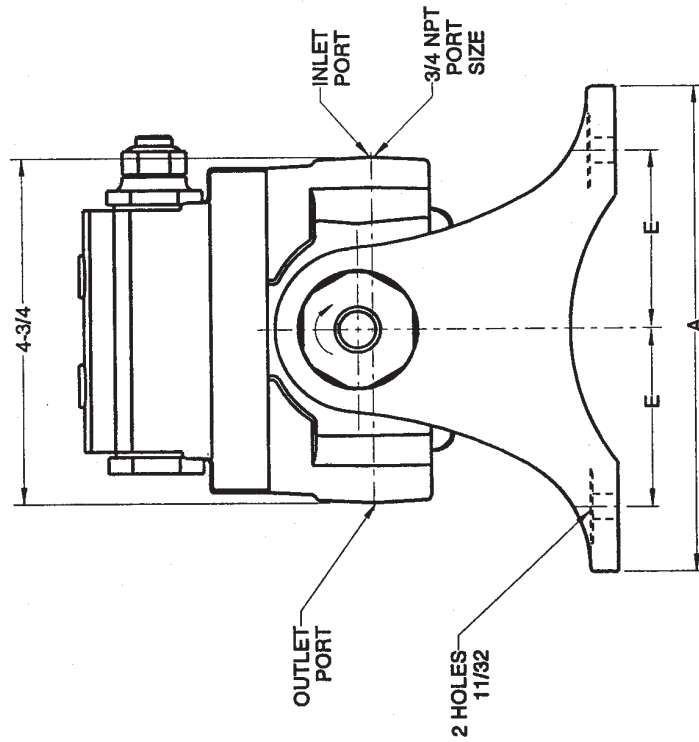
**W48 & E56 Bracket
& Pump Assembly**

Footed Bracket For Base Mounting

	A	B	C	D	E	M	N	P
BRACKETS	W48 3-1/8	1-7/16	22/32	3	1			
	E56 6-1/2	1-5/8	13/16	3-1/2	2-7/16			
PUMPS	1-3U					2-1/4	5-1/8	3-3/4
	5U					2-1/4	5-1/4	3-3/4
	6U					2-3/16	5-3/4	4-1/16
	8U					2-3/16	5-15/16	4-1/16



RIGHT SIDE



SHAFT END VIEW



DIVISION OF: BAKER MANUFACTURING COMPANY

133 Enterprise Street • Evansville, WI 53536
Phone: 800-871-9250 • Fax: 608-882-3777

H140 Footed Bracket for Base Mounting for 10-40 GPM Haight Pumps

H140 Footed Bracket for Base Mounting for 10-40 GPM Haight Pumps

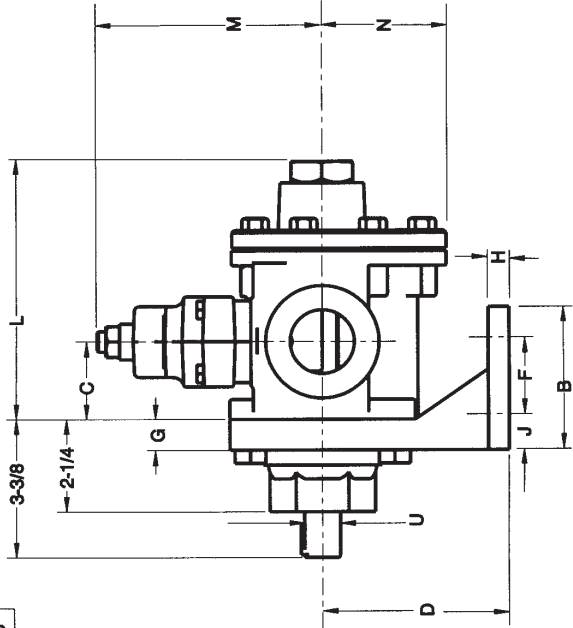
H140 Footed Bracket for Base Mounting for 10-40 GPM Haight Pumps

Bracket sizes coincide with NEMA motor frame designations

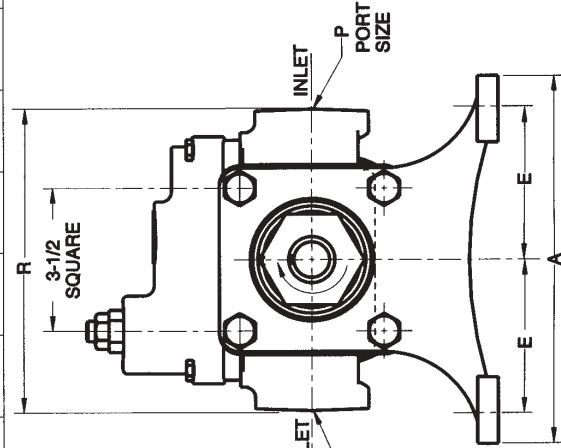
Pump	WITH R.V.	W/O R.V.	P	R	U	C	L	M (UR)	M (UD)	N
10UR	10UD	1	7	5/8	1-15/16	6-3/16	5-15/32	2-1/4	2-3/4	2-3/4
15UR	15UD	1-1/4	7	5/8	1-15/16	6-3/16	5-15/32	2-1/4	2-3/4	2-3/4
20UR	20UD	1-1/4	7	5/8	1-15/16	6-3/16	5-15/32	2-1/4	2-3/4	2-3/4
22UR	22UD	1-1/2	7-3/8	7/8	1-29/32	6-5/16	5-15/32	2-1/4	3	3
30UR	30UD	1-1/2	7-3/8	7/8	1-29/32	6-5/16	5-15/32	2-1/4	3	3
40UR	40UD	1-1/2	7-3/8	7/8	1-29/32	6-5/16	5-15/32	2-1/4	3	3

Bracket

SIZE	D	A	B	E	F	H	G	J
H140	3-1/2	7	2-1/8	2-3/4	0	1/2	5/8	1-1/2
H182	4-1/2	9	3-1/2	3-3/4	1-7/8	1/2	3/4	7/8
H213	5-1/4	10	3-1/2	4-1/4	1-7/8	1/2	3/4	7/8
H254	6-1/4	12-1/8	4-5/8	5	1-1/2	11/16	3/4	1-1/16



RIGHT SIDE VIEW



SHAFT END VIEW

Rotation Arrow Denotes Standard Clockwise Rotation



DIVISION OF: BAKER MANUFACTURING COMPANY

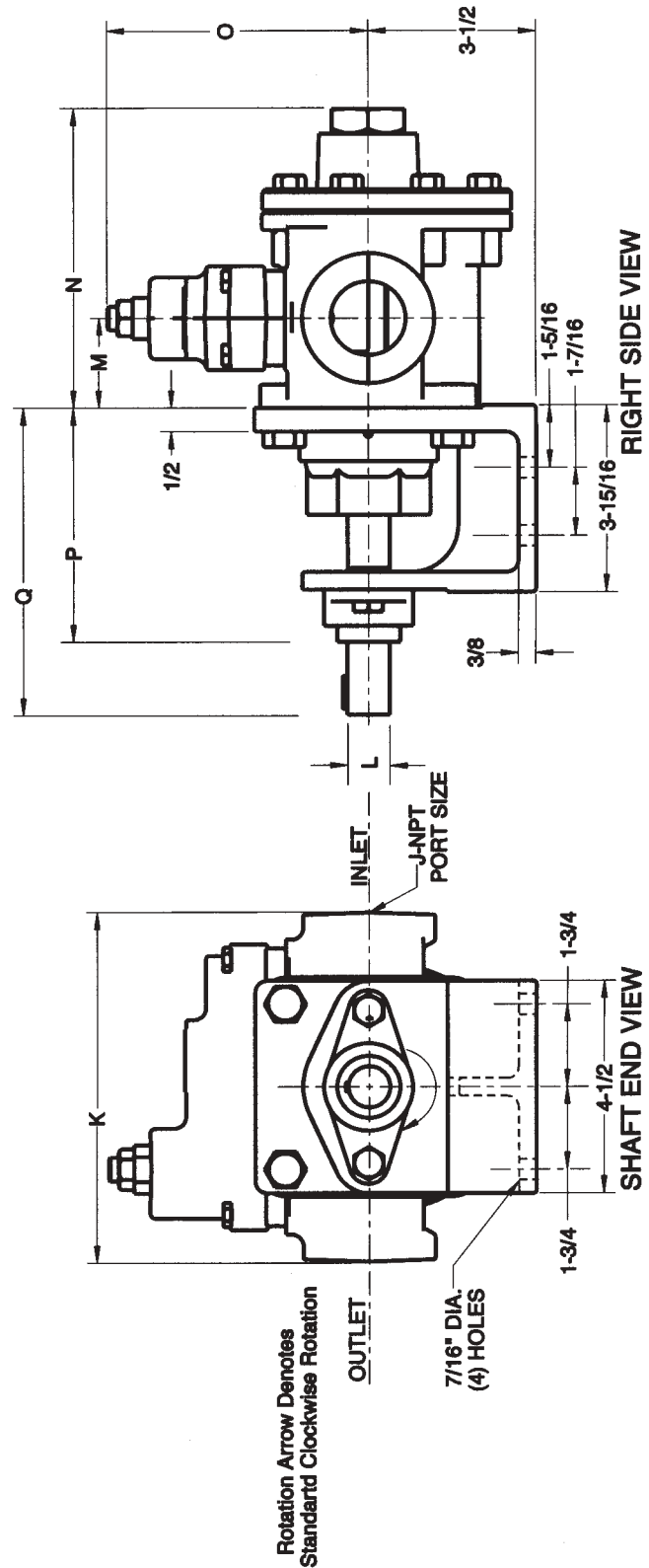
133 Enterprise Street • Evansville, WI 53536
 Phone: 800-871-9250 • Fax: 608-882-3777

**S1040 Outboard Bearing Bracket
 for 10-40 GPM Haight Pumps**

S1040 Outboard Bearing Bracket for 10-40 GPM Haight Pumps

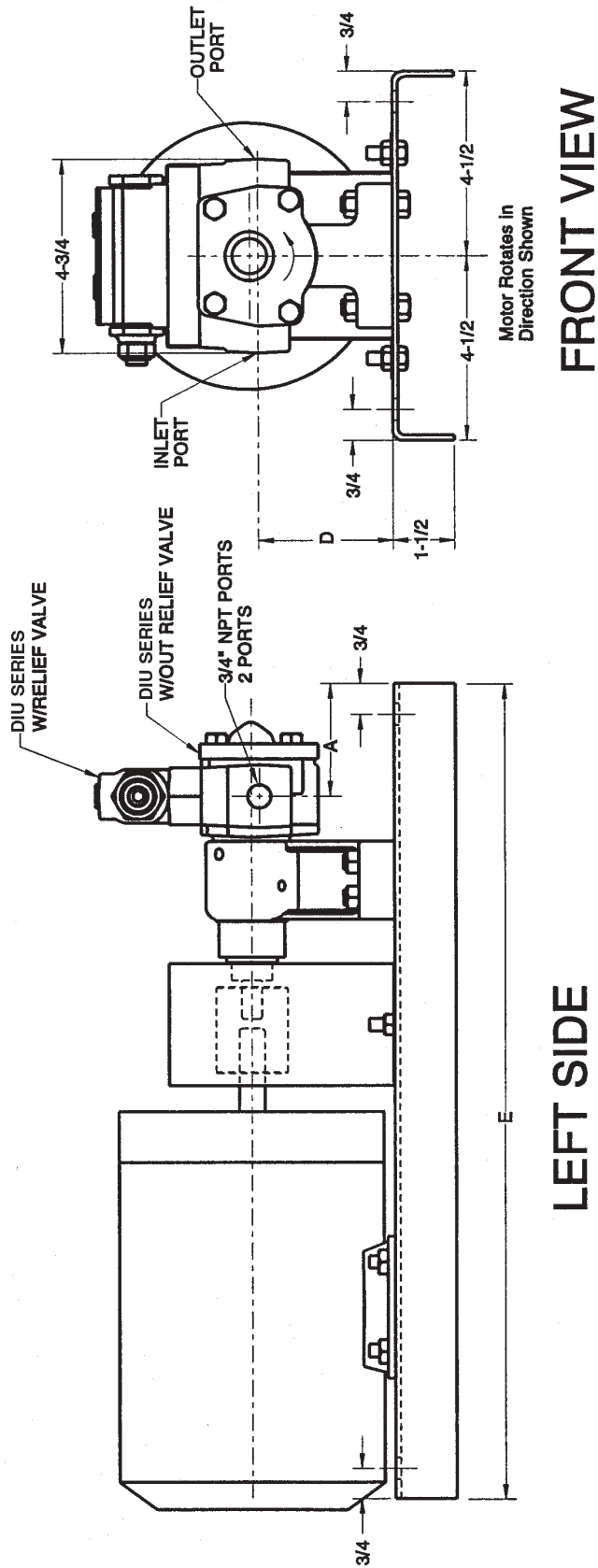
Pump	J	K	L	M	N	O	P	Q
10UD	1	7	5/8	1-15/16	6-3/16	2-1/4	5	6-7/8
10UR	1	7	5/8	1-15/16	6-3/16	5-15/32	5	6-7/8
15UD, 20UD	1-1/4	7	5/8	1-15/16	6-3/16	2-1/4	5	6-7/8
15UR, 20UR	1-1/4	7	5/8	1-15/16	6-3/16	5-15/32	5	6-7/8
22UD, 30UD, 40UD	1-1/2	7-3/8	7/8	1-29/32	6-5/16	2-1/4	5-1/8	7-1/8
22UR, 30, 40UR	1-1/2	7-3/8	7/8	1-29/32	6-5/16	5-15/32	5-1/8	7-1/8

**S1040 Outboard Bearing Bracket
 for 10-40 GPM Haight Pumps**



BEDPLATE	FRAME	D	E
S56B	48	3	20
	56, 143 145	3-1/2	
S140B	182	3-1/2	24
	184		

PUMP	A
1-5U	2-13/16
6 & 8U	2-3/4





DIVISION OF: BAKER MANUFACTURING COMPANY

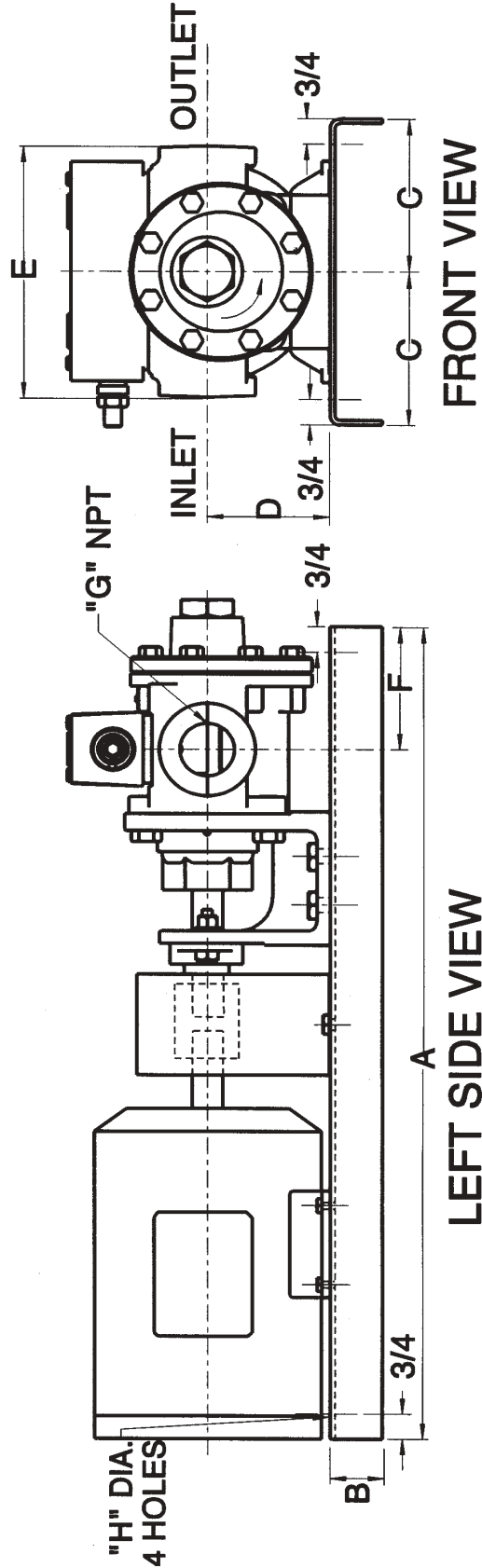
133 Enterprise Street • Evansville, WI 53536
 Phone: 800-871-9250 • Fax: 608-882-3777

**Bedplate Assembly for
 10-40 GPM Haight Pumps**

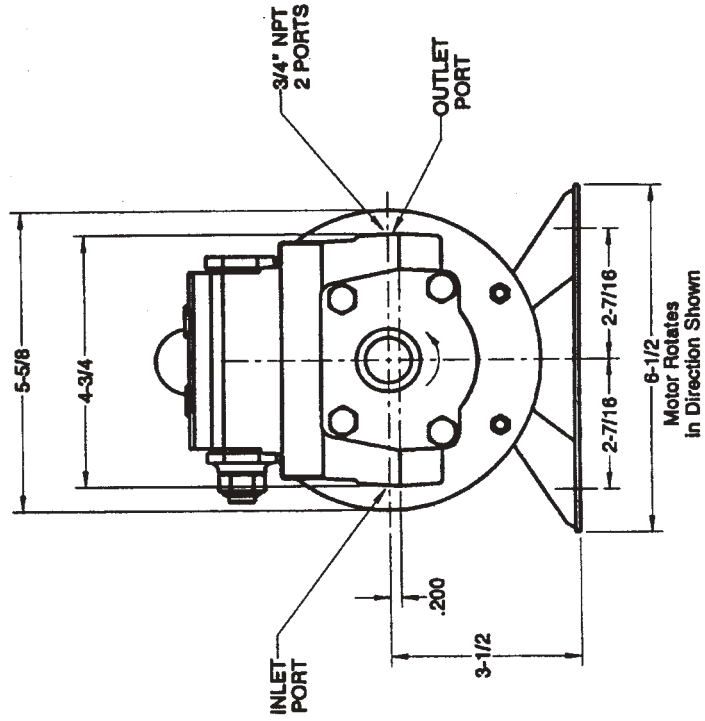
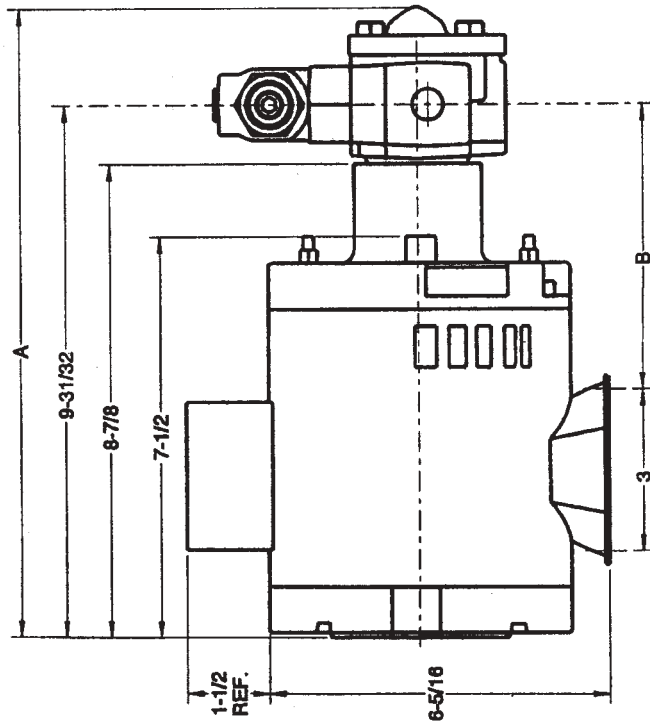
Bedplate Assembly for 10-40 GPM Haight Pumps

MODEL	BEDPLATE	FRAME	A	B	C	D	E	F	G	H
10UD 10UR	S140B	56 143 145	24	1-1/2	4-1/2	3-1/2	7	3-7/8	1	17/32
	S180B	182 184	26	1-5/8	5-1/2	4-1/2	7		1	21/32
	S213B	213 215	30	1-5/8	5-1/2	5-1/4	7		1	21/32
15UD 15UR 20UD 20UR	S140B	56 143 145	24	1-1/2	4-1/2	3-1/2	7	3-7/8	1-1/4	17/32
	S180B	182 184	26	1-5/8	5-1/2	4-1/2	7		1-1/4	21/32
	S213B	213 215	30	1-5/8	5-1/2	5-1/4	7		1-1/4	21/32
22UD 22UR 30UD 30UR 40UD 40UR	S140B	56 143 145	24	1-1/2	4-1/2	3-1/2	7-3/8	3-5/8	1-1/2	17/32
	S180B	182 184	26	1-5/8	5-1/2	4-1/2	7-3/8		1-1/2	21/32
	S213B	213 215	30	1-5/8	5-1/2	5-1/4	7-3/8		1-1/2	21/32
	S213B	213 215	30	1-5/8	5-1/2	5-1/4	7-3/8		1-1/2	21/32

**Motor Rotates in
 Direction Shown**



PUMP	A	B
1U	11-13/16	6-13/32
3U	11-13/16	5-13/32
5U	11-15/16	6-13/32
6U	12-7/16	5-11/32
8U	12-7/8	5-11/32

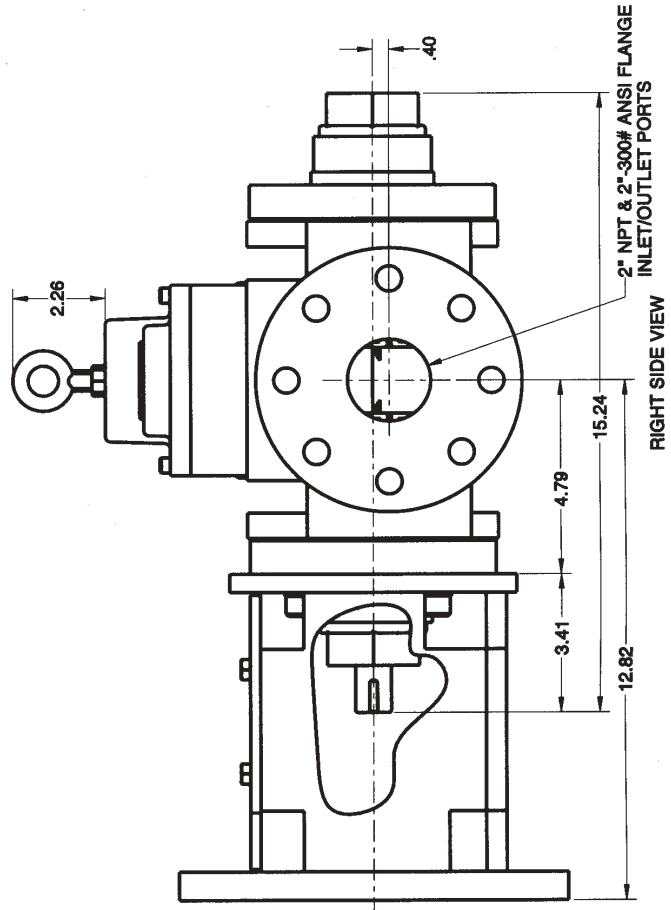
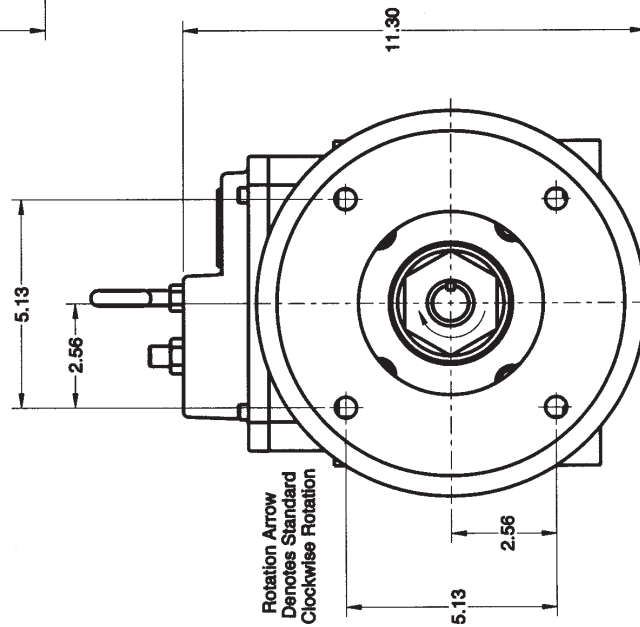
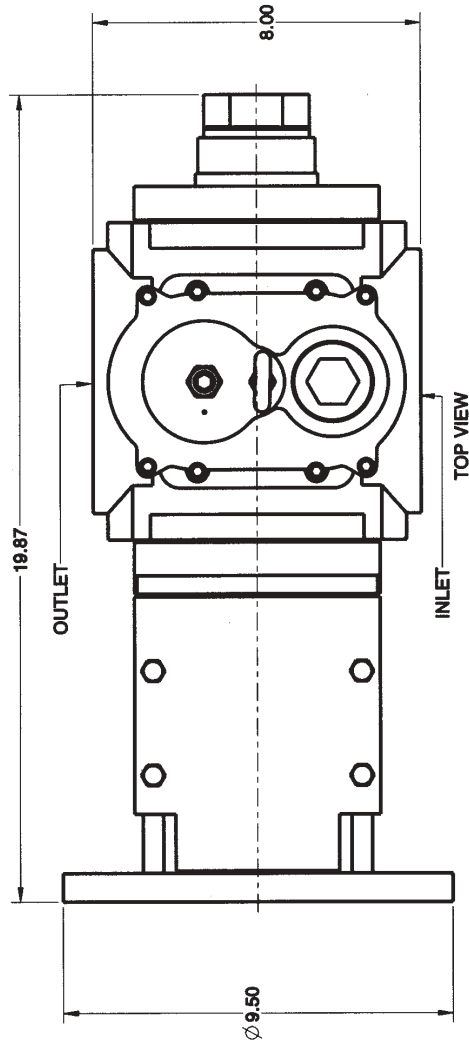


FRONT VIEW

LEFT SIDE

**Hub Mount Assembly
1U through 8U Pumps**

Note: Z213D Bracket Will Accept:
*182 Frame Motors- Long Coupling Required
**254 Frame Motors- Optional SP213 Adapter Ring Required



**Z213D Bracket
for Double Pump**

Footed Bracket for Base Mounting for 44-80 GPM Haight Double Pumps

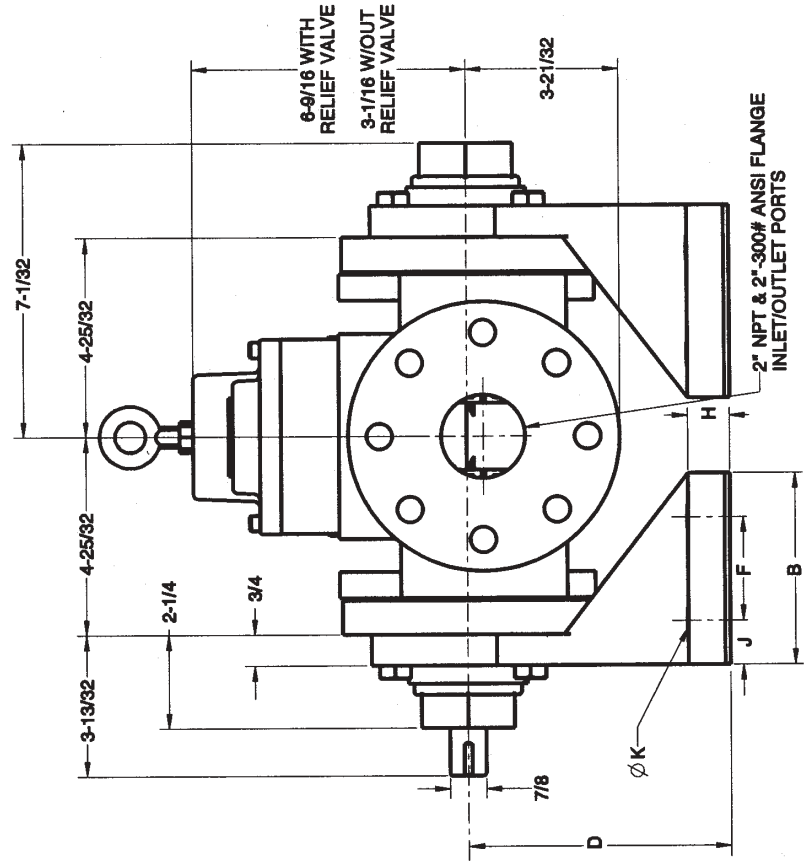
133 Enterprise Street • Evansville, WI 53536
Phone: 800-871-9250 • Fax: 608-882-3777

HAIGHT PUMPS
DIVISION OF: BAKER MANUFACTURING COMPANY

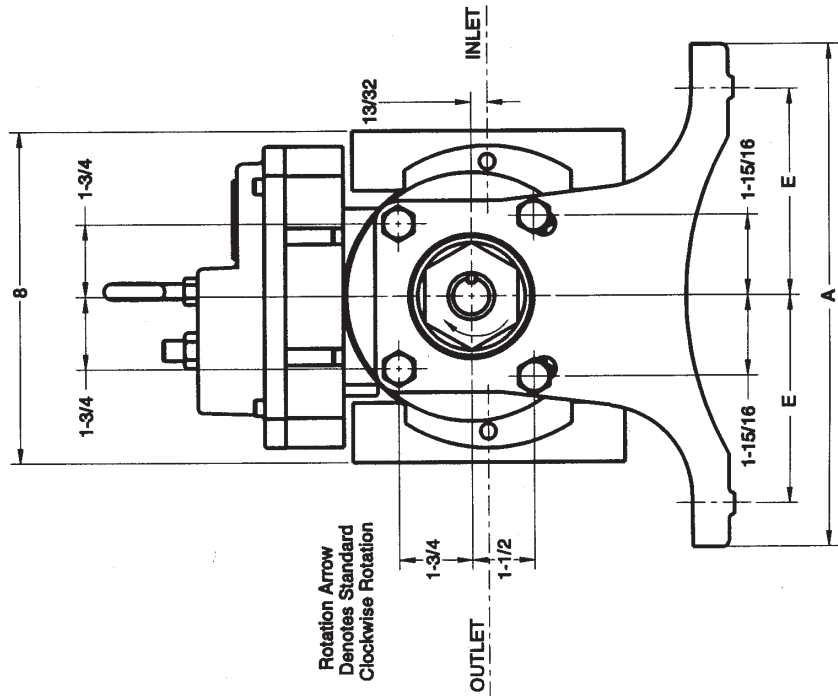
Footed Bracket for Base Mounting for 44-80 GPM Haight Double Pumps

Bracket sizes coincide with NEMA
motor frame designations

Bracket SIZE	D	A	B	E	F	H	J	K
H182	4-1/2	9-5/16	3-9/16	3-3/4	1-7/8	11/16	7/8	13/32
H213	5-1/4	10	3-1/2	4-1/4	1-7/8	1/2	7/8	13/32
H254	6-1/4	12-1/8	4-5/8	5	1-1/2	11/16	1-1/16	17/32



RIGHT SIDE VIEW



SHAFT END VIEW

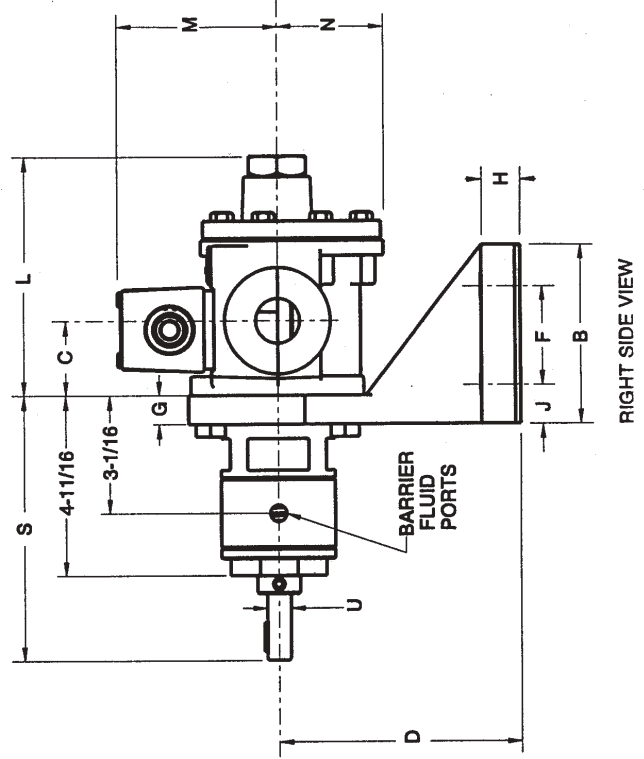
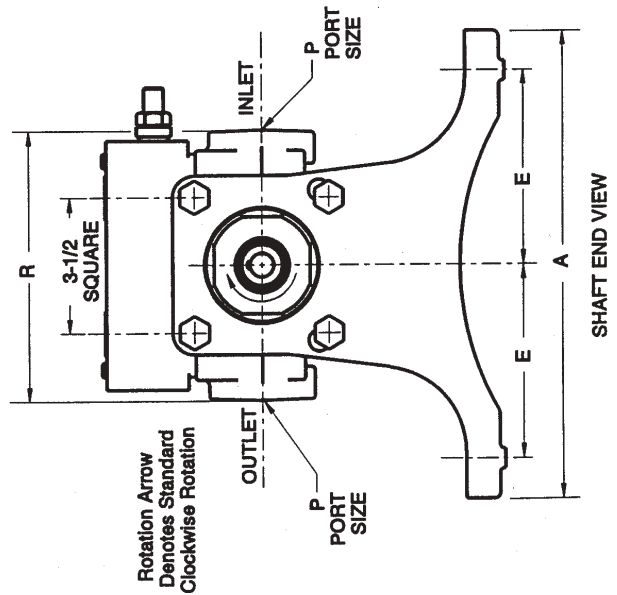
Pump

WITH R.V.	P NPT	R	U	C	L	M WITH R.V.	M W/OUT R.V.	N	S
10UR	1	7	5/8	1-15/16	6-3/16	4-1/16	2-1/4	2-3/4	6-7/8
15UR	1-1/4	7	5/8	1-15/16	6-3/16	4-1/16	2-1/4	2-3/4	6-7/8
20UR	1-1/4	7	5/8	1-15/16	6-3/16	4-1/16	2-1/4	2-3/4	6-7/8
22UR	1-1/2	7-3/8	7/8	1-29/32	6-5/16	4-1/16	2-1/4	3	7-1/8
30UR	1-1/2	7-3/8	7/8	1-29/32	6-5/16	4-1/16	2-1/4	3	7-1/8
40UR	1-1/2	7-3/8	7/8	1-29/32	6-5/16	4-1/16	2-1/4	3	7-1/8

Bracket sizes coincide with NEMA motor frame designations

Bracket

SIZE	D	A	B	E	F	H	G	J
H140	3-1/2	7	2-1/8	2-3/4	0	1/2	5/8	1-1/2
H182	4-1/2	9	3-1/2	3-3/4	1-7/8	1/2	3/4	7/8
H213	5-1/4	10	3-1/2	4-1/4	1-7/8	1/2	3/4	7/8
H254	6-1/4	12-1/8	4-5/8	5	1-1/2	11/16	3/4	1-1/16

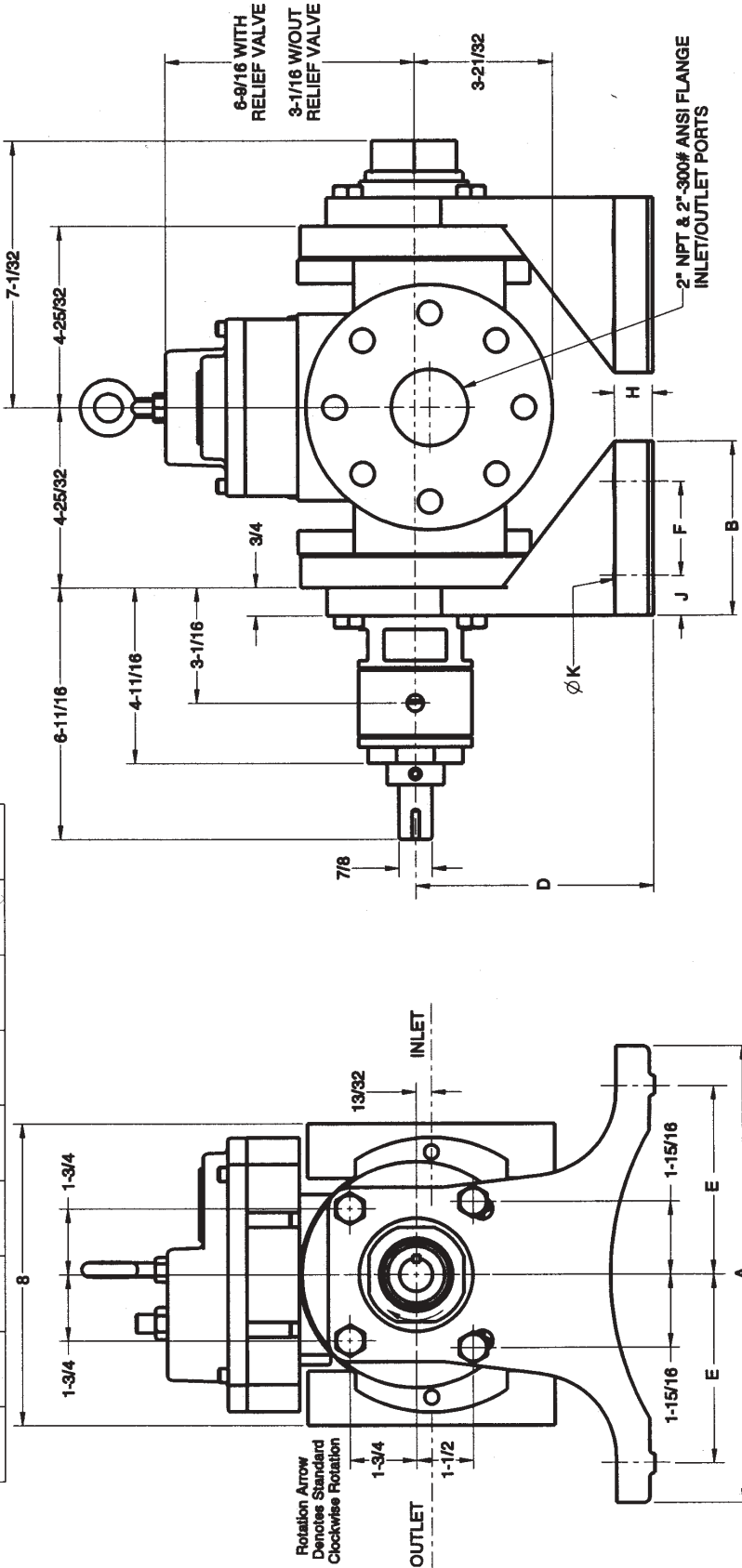


**Footed Bracket for Base Mounting For
44-80 GPM Barrier Seal Double Pumps**

Bracket

SIZE	D	A	B	E	F	H	J	K
H182	4-1/2	9-5/16	3-9/16	4-1/4	1-7/8	1/2	7/8	13-32
H213	5-1/4	10	3-1/2	4-1/4	1-7/8	1/2	7/8	13/32
H254	6-1/4	12-1/8	4-5/8	5	1-1/2	11/16	1-1/16	17/32

Bracket sizes coincide with NEMA motor frame designations



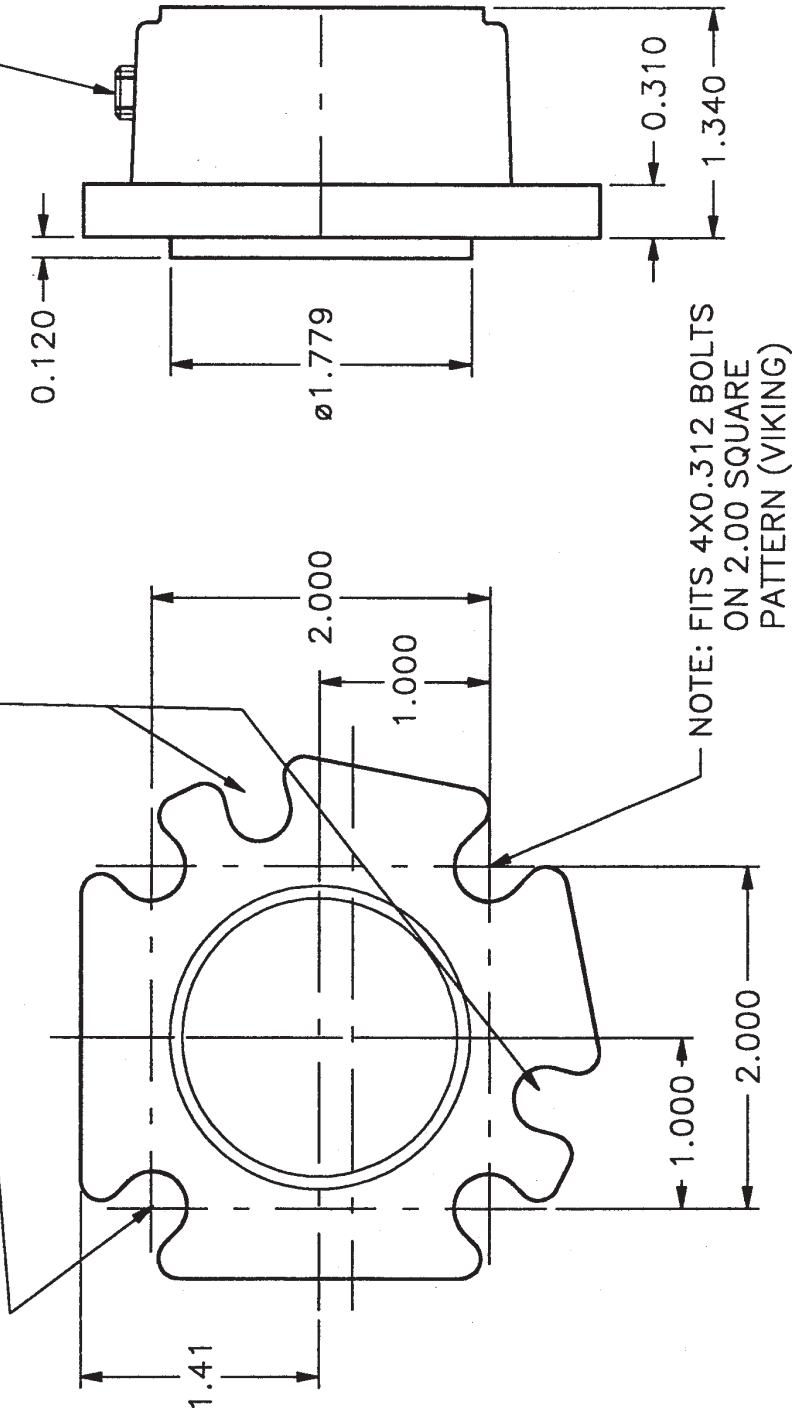
SHAFT END VIEW

RIGHT SIDE VIEW

3 or 4 Bolt Style Mounting
Configuration used for direct coupled
model 1-8U pumps

2X.312 UNC SOCKET HEAD SET
SCREWS FIT .156 HEX KEY.

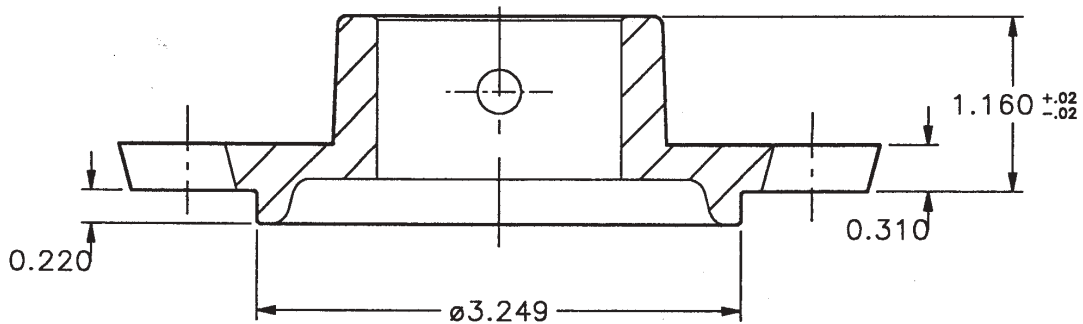
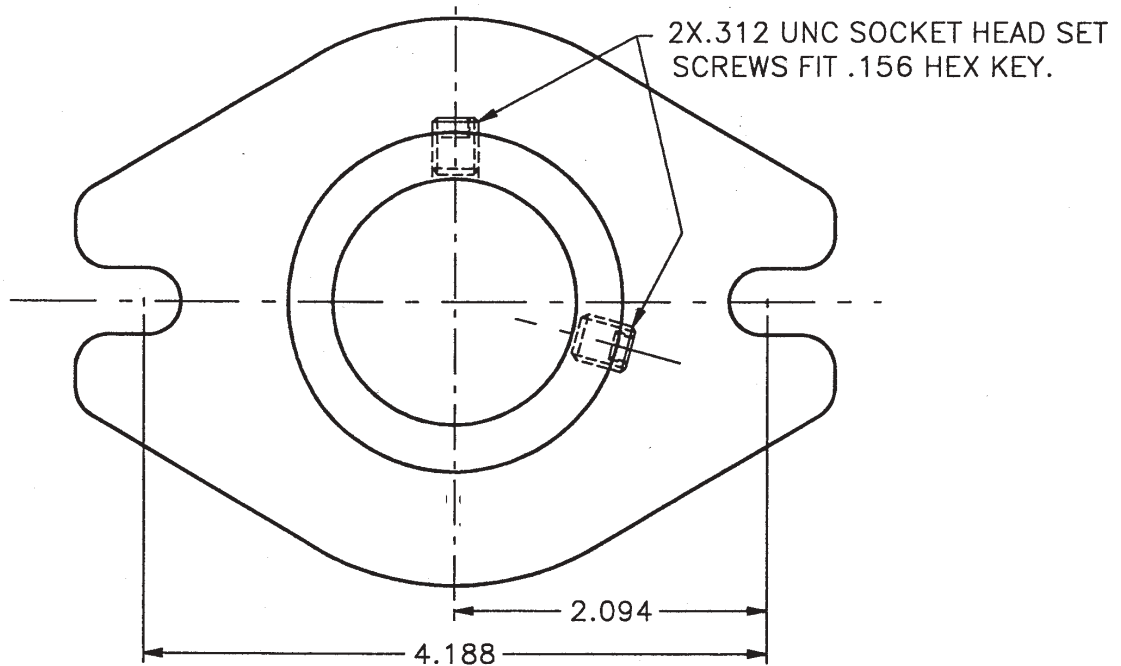
NOTE: FITS 3X0.25 BOLTS
ON 2.75 B.C.



F48T Bracket Assembly

SAE Style Mounting Configuration, used for direct coupled Model 1- 8U pumps

NOTE: FITS HAIGHT HUB MOUNT PUMPS
NOTE: CONFORMS TO ANSI B93.6 82-2 CODE (SAE A)
PART NO. F48SAE

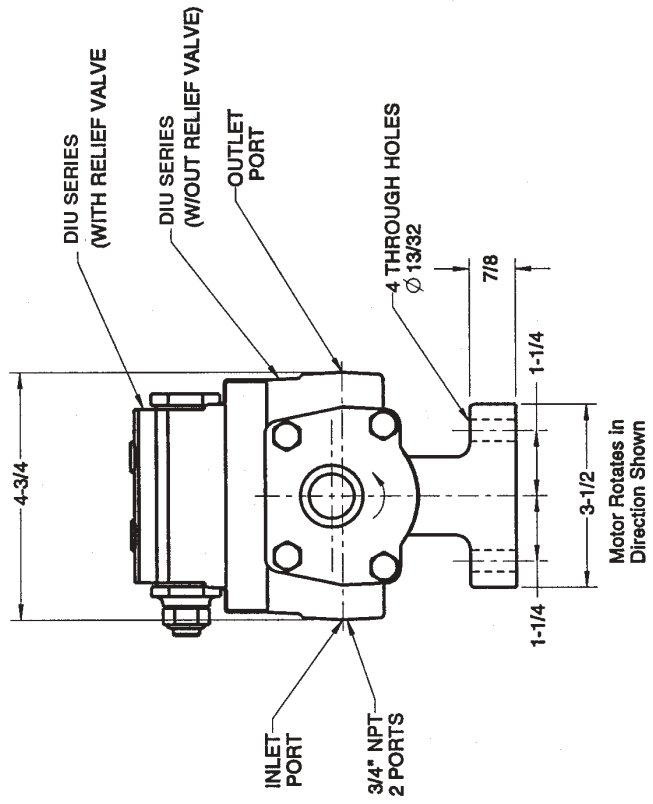


133 Enterprise Street • Evansville, WI 53536
Phone: 800-871-9250 • Fax: 608-882-3777

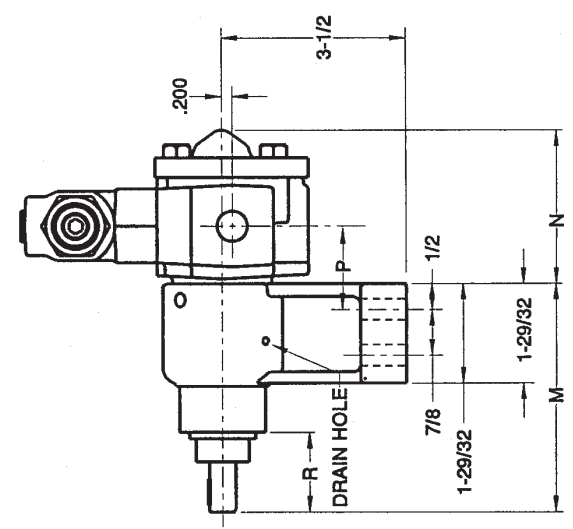
HAIGHT PUMPS
DIVISION OF: BAKER MANUFACTURING COMPANY

PUMP	M	N	P	R
1U	3-27/32	3-7/16	1-21/32	1-1/2
3U	3-27/32	3-7/16	1-21/32	1-1/2
5U	3-27-32	3-5/8	1-21/32	1-1/2
6U	3-7/8	3-9/16	1-19/32	1-17/32
8U	3-7/8	3-3/4	1-19/32	1-17/32

**Outboard Bearing
Bracket & Pump Assembly**



FRONT VIEW



LEFT SIDE