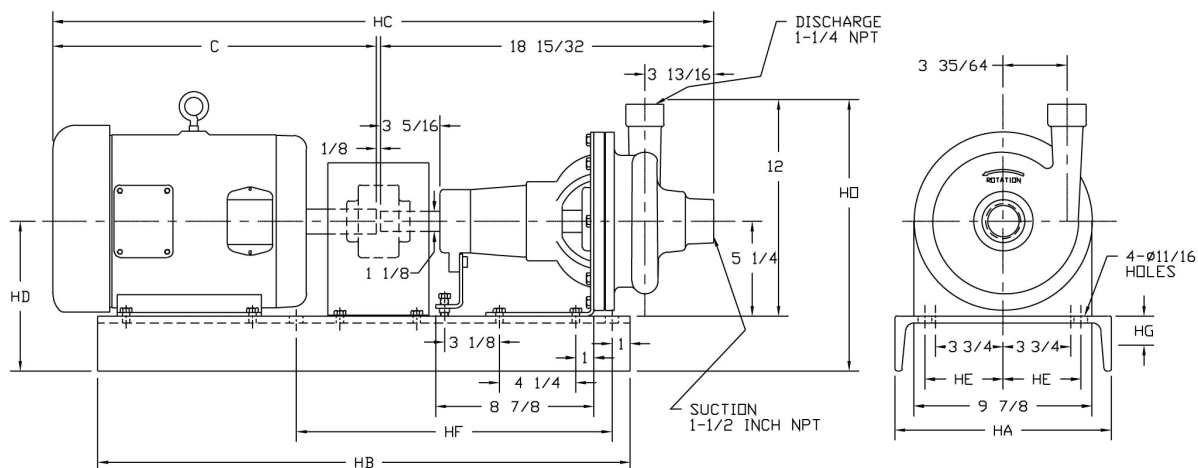




**MODEL HKF 1 1/2 x 1 1/4**  
**Stainless Steel**



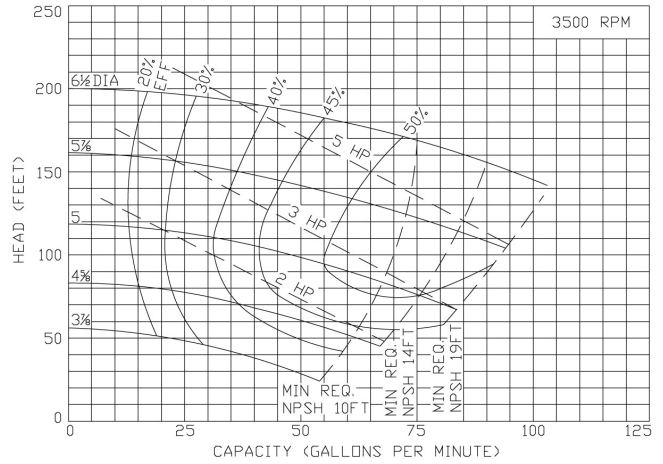
TEFC MOTOR			DIMENSIONS IN INCHES (For Reference Only)									
HP	RPM	FRAME	C	HA	HB	HC	HD	HE	HF	HG	HM	HO
1	1750	143T	13-1/16	10	26	30-15/16	7-7/8	3-3/4	24	2-5/8	11-3/4	14-5/8
2	3500	145T	13-1/16	10	26	30-15/16	7-7/8	3-3/4	24	2-5/8	11-3/4	14-3/8
3	3500	182T	15-3/8	10	26	33-1/4	7-7/8	3-3/4	16-1/4	2-5/8	12-1/2	14-3/8
5	3500	184T	15-3/8	10	26	33-1/4	7-7/8	3-3/4	16-1/4	2-5/8	12-1/2	14-3/8
7-1/2	3500	213T	19-7/16	12	28	37-5/16	8-1/4	4-1/2	17-1/2	3	13-3/4	15

**MATERIAL SPECIFICATIONS**

PART NAME	NICKEL ALUMINUM BRONZE	STAINLESS STEEL
Casing, Cover & Impeller	AMPCO® 483	316 Stainless
Wear Ring	AMPCO® 18	316 Stainless
Shaft	Steel	Steel
Shaft Sleeve	AMPCO® 18	316 Stainless
Frame	Cast Iron	Cast Iron

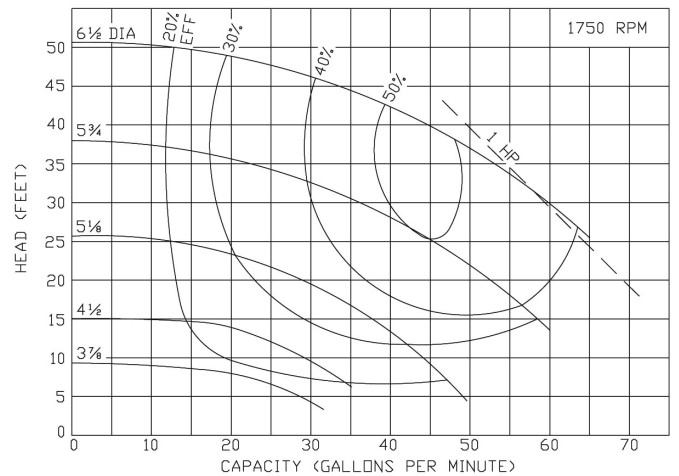
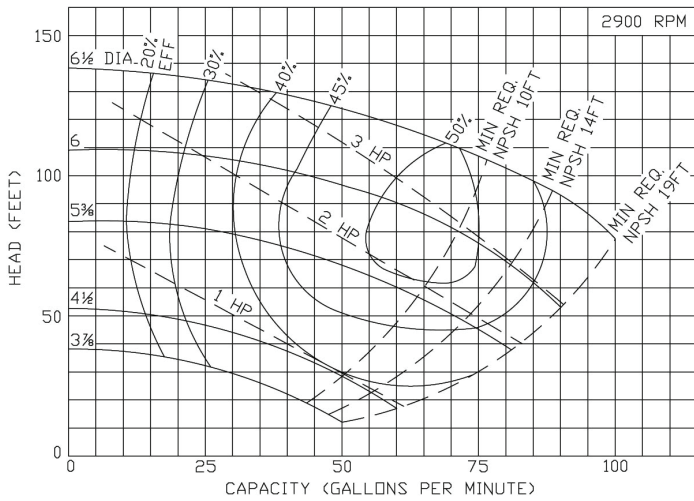
\* Also available in Duplex 2205

Curves show approximate characteristics based on clear 68° water. Rated point is guaranteed



Standard HK Series pumps have threaded NPT connections. Models 1 1/2 x 1 1/4 and 2 x 1 1/2, and 2 1/2 x 2 are mounted on JM frame motors and offer the same hydraulic performance as the comparable HZ series pump

Seal options include Type 21 and Type 9 with choice of sealing materials.



For more information contact:  
 Haight Pumps 133 Enterprise Street • Evansville, WI 53536 Phone: 800-871-9250 • Fax: 608-882-3777  
 Website: [haightpump.com](http://haightpump.com)