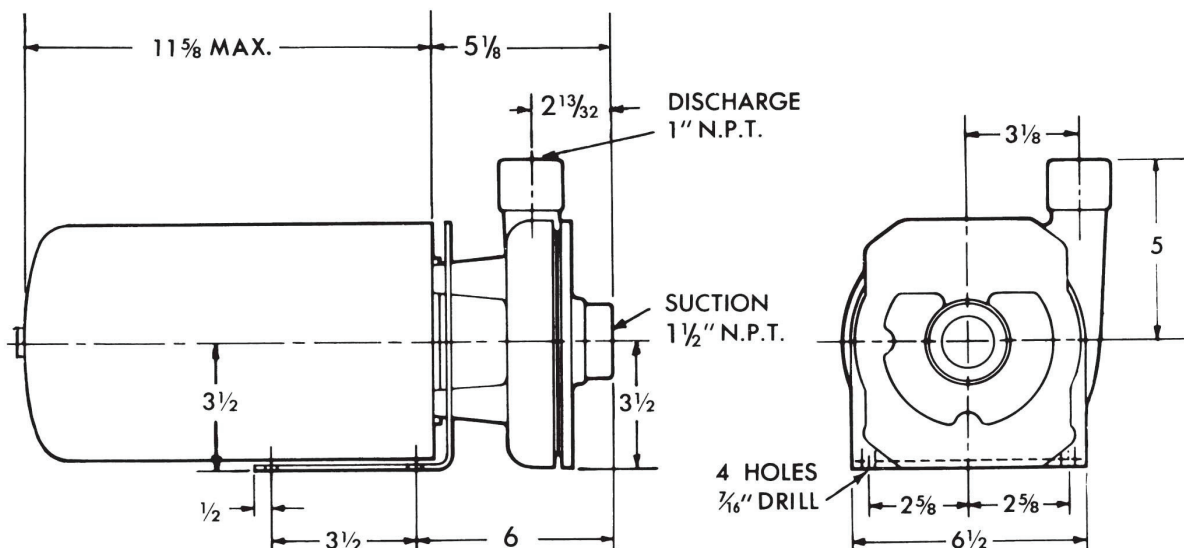


HAIGHT® PUMPS

DIVISION OF: BAKER MANUFACTURING COMPANY, LLC

MODEL HKC2 1 1/2 x 1



HP	FRAME	APPROX. WEIGHT (LBS)
1/2	56J	48
1	56J	50
2	56J	63
3	56J	67

MATERIAL SPECIFICATIONS

PART NAME	NICKEL ALUMINUM BRONZE	STAINLESS STEEL
Casing	AMPCO® 483	316 Stainless
Cover	AMPCO® 483	316 Stainless
Impeller	AMPCO® 483	316 Stainless
Bracket	Steel	Steel

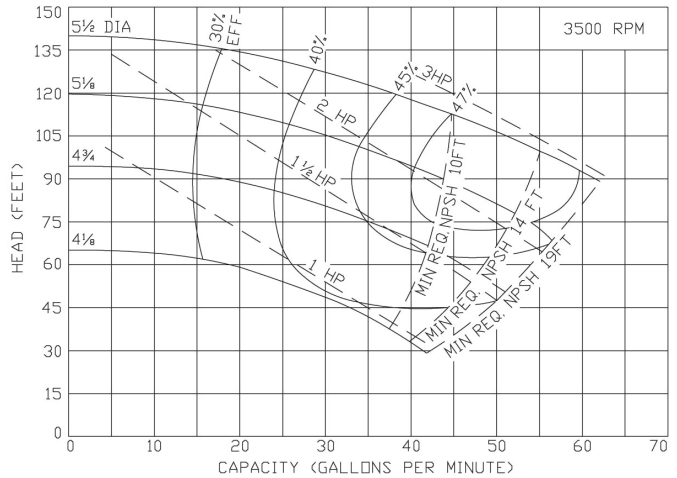
* Also available in Duplex 2205

For more information contact:

Haight Pumps 133 Enterprise Street • Evansville, WI 53536 Phone: 800-871-9250 • Fax: 608-882-3777

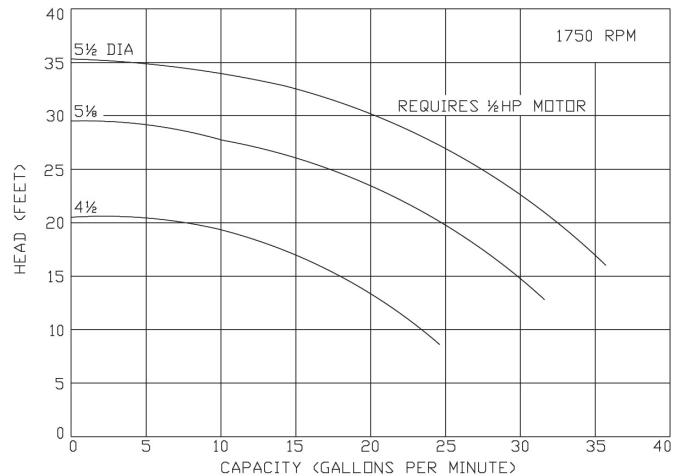
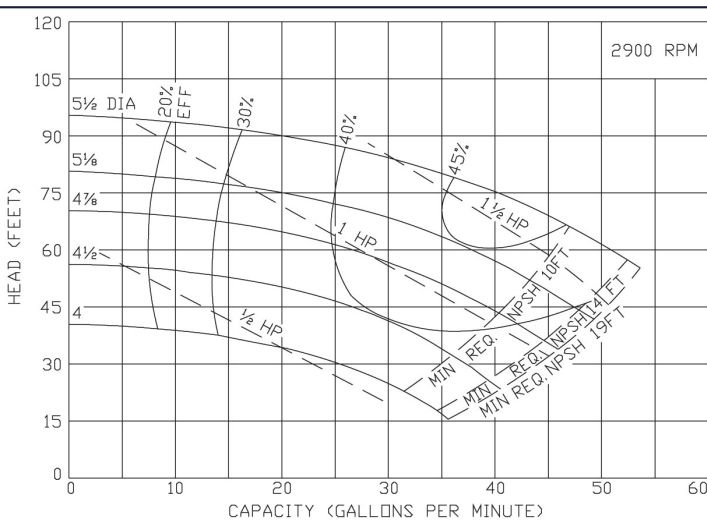
Website: haightpump.com

Curves show approximate characteristics based on clear 68° water. Rated point is guaranteed



Standard HK Series pumps have threaded NPT connections.

Seal options include Type 21 and Type 9 with choice of sealing materials.



For more information contact:
 Haight Pumps 133 Enterprise Street • Evansville, WI 53536 Phone: 800-871-9250 • Fax: 608-882-3777
 Website: haightpump.com