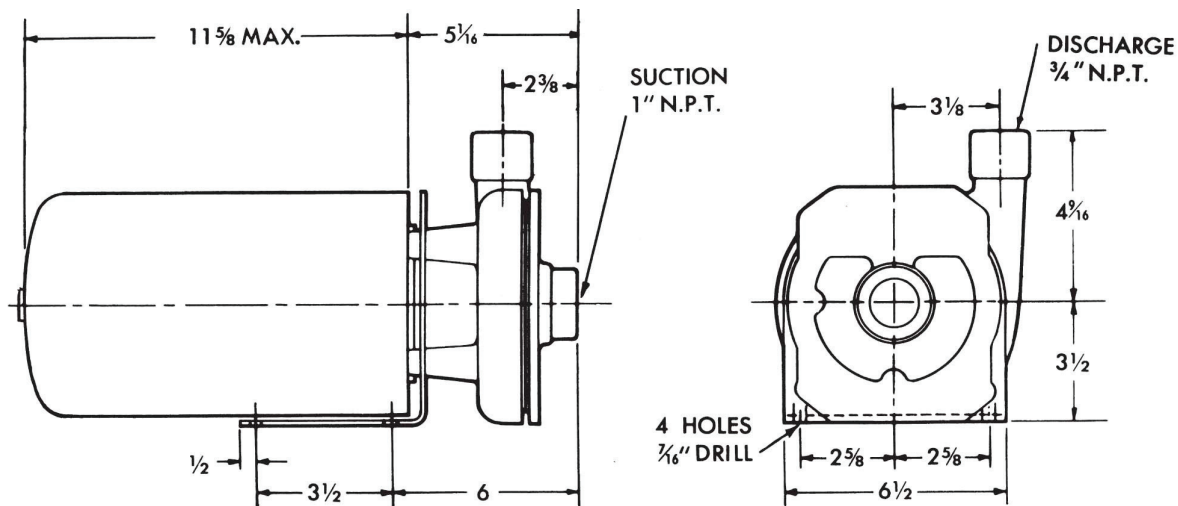




**MODEL HKC2 1 x 3/4**  
**Stainless Steel**



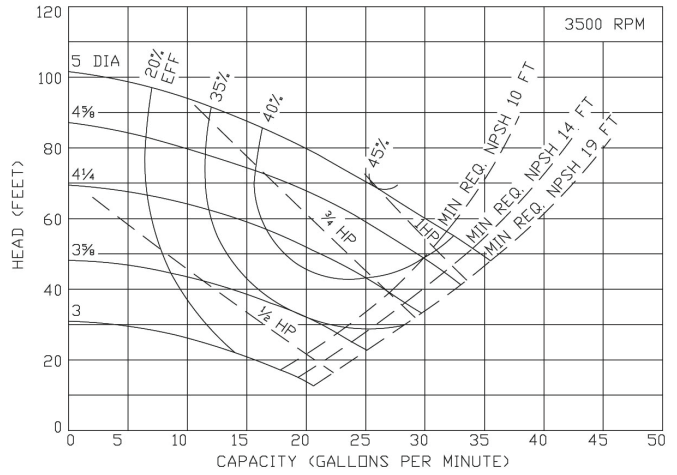
HP	FRAME	APPROX. WEIGHT (LBS)
1/2	56J	46
3/4	56J	48
1	56J	52
2	56J	61

**MATERIAL SPECIFICATIONS**

PART NAME	STAINLESS STEEL
Casing	316 Stainless
Cover	316 Stainless
Impeller	316 Stainless
Bracket	Steel

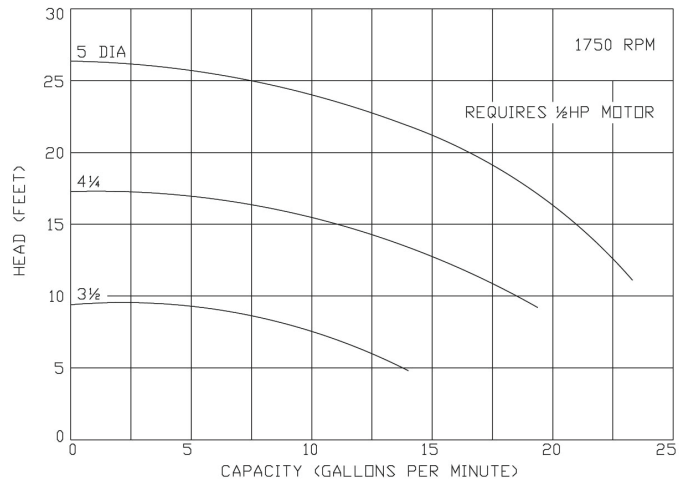
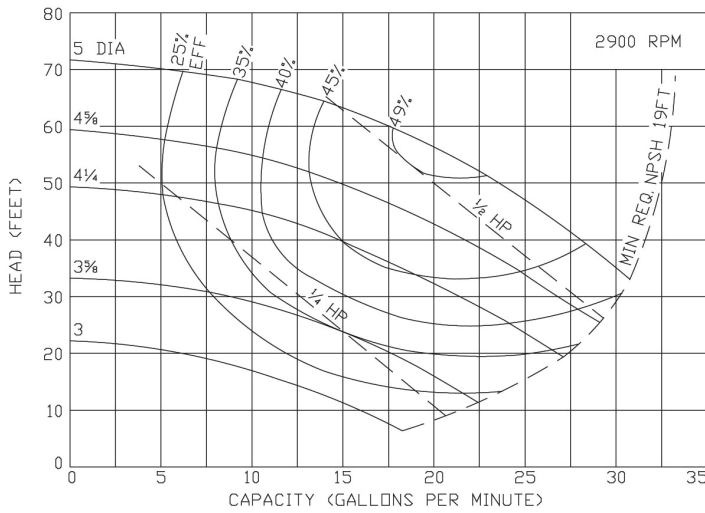
\* Also available in Duplex 2205

Curves show approximate characteristics based on clear 68° water. Rated point is guaranteed



Standard HK Series pumps have threaded NPT connections.

Seal options include Type 21 and Type 9 with choice of sealing materials.



For more information contact:  
 Haight Pumps 133 Enterprise Street • Evansville, WI 53536 Phone: 800-871-9250 • Fax: 608-882-3777  
 Website: [haightpump.com](http://haightpump.com)