



133 Enterprise Street • Evansville, WI 53536
 Phone: 800-871-9250 • Fax: 608-882-3777

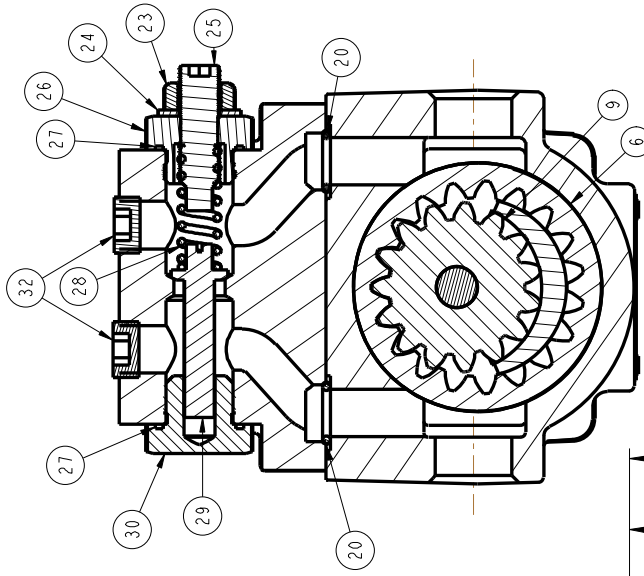
DIVISION OF BAKER MANUFACTURING COMPANY

9UR-9GPM HAIGHT RELIEF VALVE PUMP

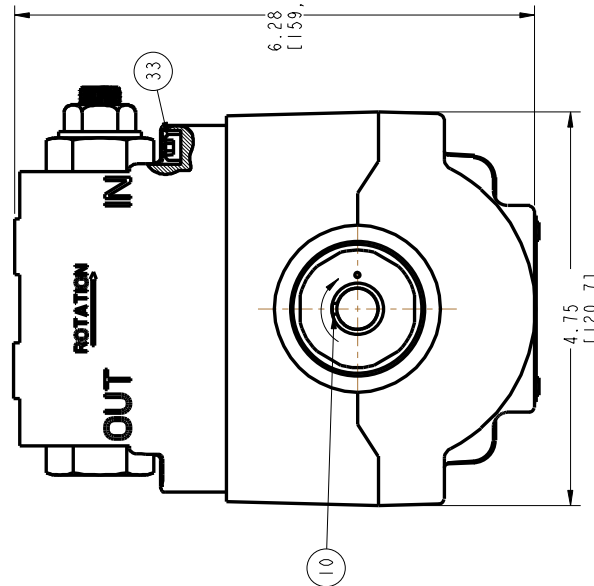
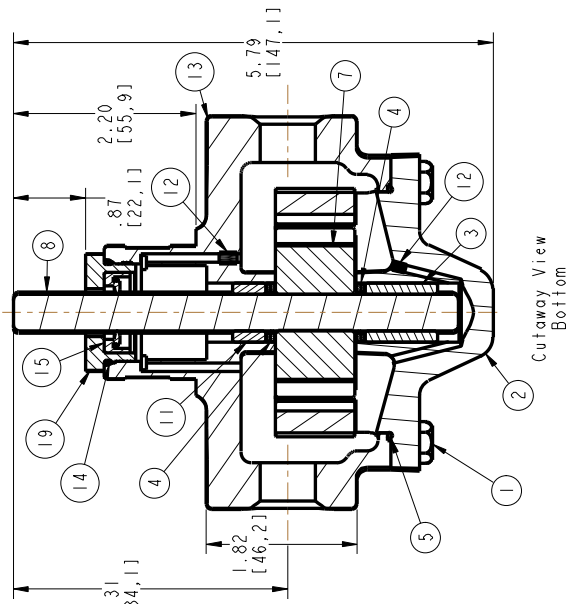
Item	Part Number	Description	Qty.
1	E90HC-6	Screw, Cover	4
2	ED930A	Cover	1
3	E11F	Bearing	1
4	E21E	Wiper Seal	1
5	E28E	O-Ring, Cover	1
6	ED926FI	Rotor	1
7	ED9C3PK	Shaft & Pinion Assembly	1
8	D814PK	Shaft	1
9	ED915CI	Pinion	1
10	E13C50	Key 1/8 Sq X 1/2 Lg	1
11	E11F2	Bearing	1
12	E49E	Set Screw, Vent	2
13	ED83A7	Case	1
14	E24SE	O-ring-Gland	1

Item	Part Number	Description	Qty.
15	E18E	Shaft Seal	1
19	E22SS3F4	Gland	1
20	SE2018N70	O-Ring, Relief Valve	2
23	E64C	Nut	1
24	E25NI	Sealing Washer	1
25	E55C	Adjusting Screw	1
26	E57C	Bonnet	1
27	SE2020N70	O-Ring, Bonnet	2
28	E52S	Spring	1
29	E51C	Poppet	1
30	E50C	Cap	1
31	ED55A	Relief Valve Housing	1
32	ZA285	Pipe Plug	2
33	E90SC-9	Screw, Relief Valve	4

9U - 9GPM
 UNIVERSAL PUMP W/Relief Valve Revised 2008



9UR - 9 GPM
 Universal Pump W/Relief Valve Revised 2008



Rotation Arrow Denotes
 Standard Clockwise Rotation
 Shaft End View

Bracketed Dimensions are mm.