



HAIGHT
pump division

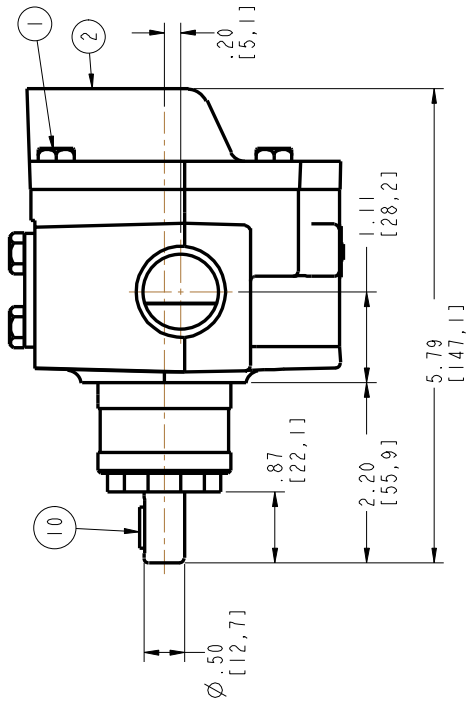
DIVISION OF BAKER MANUFACTURING COMPANY

133 Enterprise Street • Evansville, IN 47636
Phone: 800-871-9250 • Fax: 608-882-3771

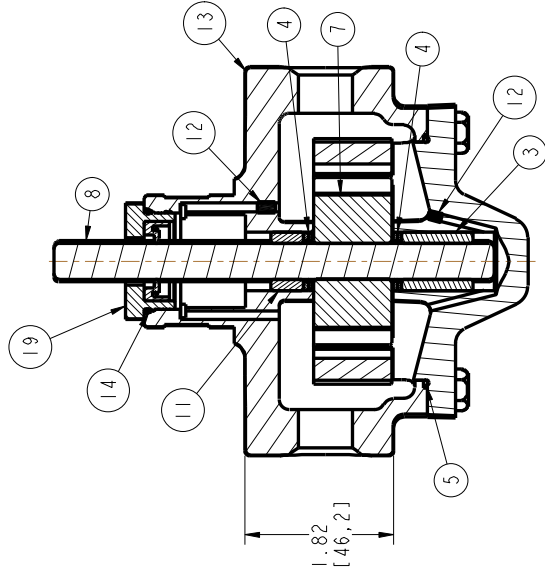
9U - 9GPM
UNIVERSAL PUMP Revised 2008

9U-9GPM HAIGHT PUMP

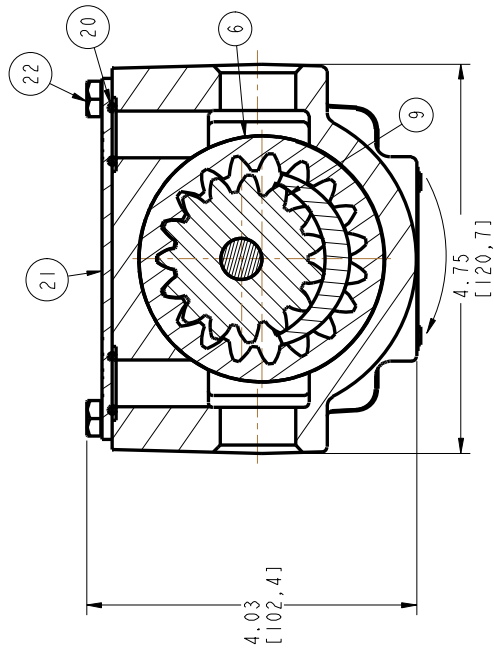
Item	Part Number	Description	Qty.
1	E90HC.6	Screw, Cover	4
2	ED930A	Cover	1
3	E11F	Bearing	1
4	E21E	Wiper Seal	1
5	E28E	O-Ring, Cover	1
6	ED926F1	Rotor	1
7	ED9C13PK	Shaft & Pinion Assembly	1
8	D814PK	Shaft	1
9	ED915C1	Pinion	1
10	E13C50	Key 1/8 Sq X 1/2 Lg	1
11	E11F2	Bearing	1
12	E49E	Set Screw, Vent	2
13	ED83A7	Case	1
14	E24SE	O-ring/Gland	1
15	E18E	Shaft Seal	2
19	E22SS3F4	Gland	1
20	SE2018N70	O-Ring, Cover Plate	2
21	ED530CP	Cover Plate	1
22	E90HC.5	Screw, Cover Plate	4



Right Side



Cutaway View
Bottom



Rotation Arrow Denotes
Standard Clockwise Rotation
Cutaway View
Shaft End

Bracketed Dimensions are mm.

9U - 9 GPM
Universal Pump -Revised 2008