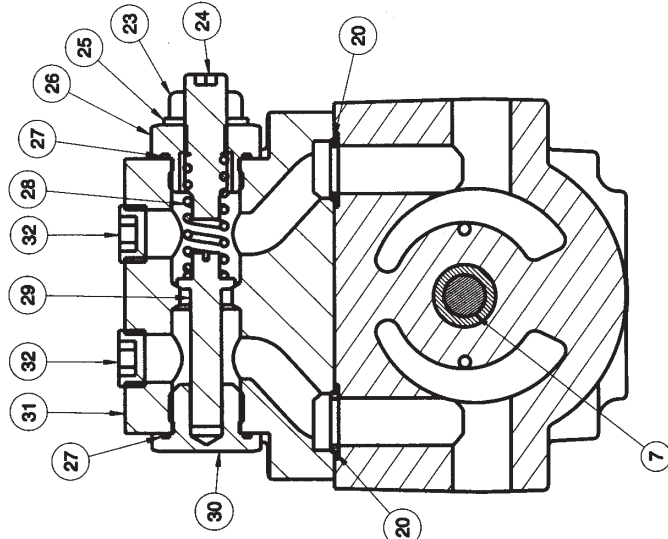
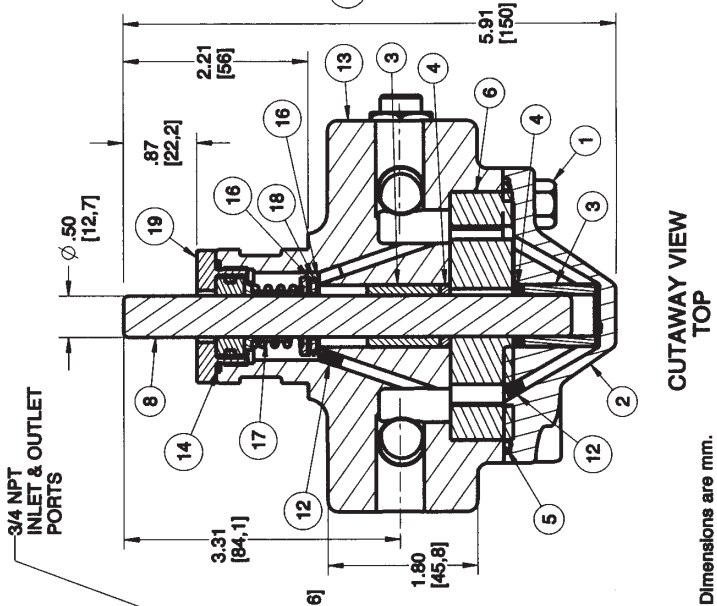
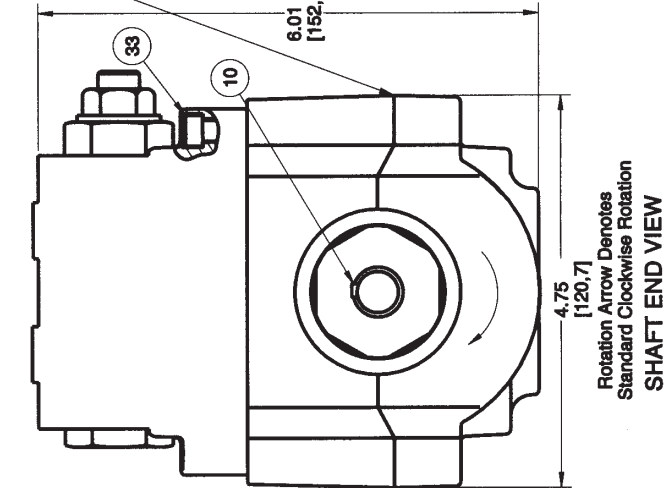


8UR - 8 GPM HAIGHT PUMP WITH RELIEF VALVE

Item	Part Number	Description	Qty.
1	E90HC.6	Screw, Cover	4
2	EG830A	Cover	1
3	E11F	Bearing	2
4	E21E	Wiper Seal	2
5	SE2151N70	O-ring-Cover	1
6	HJ89A	Gerotor Set	1
7	EJ8C13PK	Gerotor Set & Shaft Assembly	1
8	D814PK	Shaft	1
10	E13C50	Key, 1/8 Sq X 1/2 Lg	1
12	E49G	Set Screw, Vent	2
13	EG86A7	Case	1
14	E24SE	O-ring-Gland	1
16	E25C3	Washer	2
17	E18AM	Shaft Seal	1
18	E11TB2	Thrust Bearing	1
19	E22S3F4	Gland	1
20	SE2019N70	O-Ring, Valve Body	2
23	E64C	Lock Nut	1
24	E55C	Adjustment Screw	1
25	E25N1	Sealing Washer	1
26	E57C	Bonnet	1
27	SE2020N70	O-Ring, Valve	2
28	E52S	Spring	1
29	E51C	Poppet	1
30	E50C	Cap	1
31	ED65A	Valve Body	1
32	ZA285	Pipe Plug	2
33	E90SC.8	Screw, Valve Body	4



**8UR - 8 GPM
Universal Relief Valve Pump**