



pump division

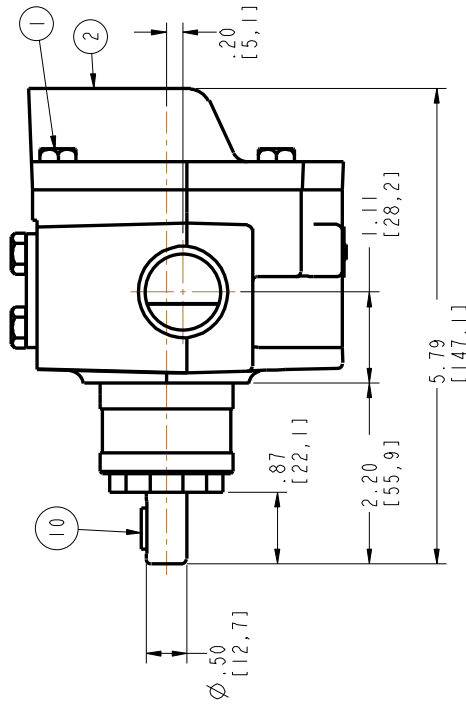
DIVISION OF BAKER MANUFACTURING COMPANY

133 Enterprise Street • Evansville, IN 47619
 Phone: 800-811-8250 • Fax: 608-882-3777

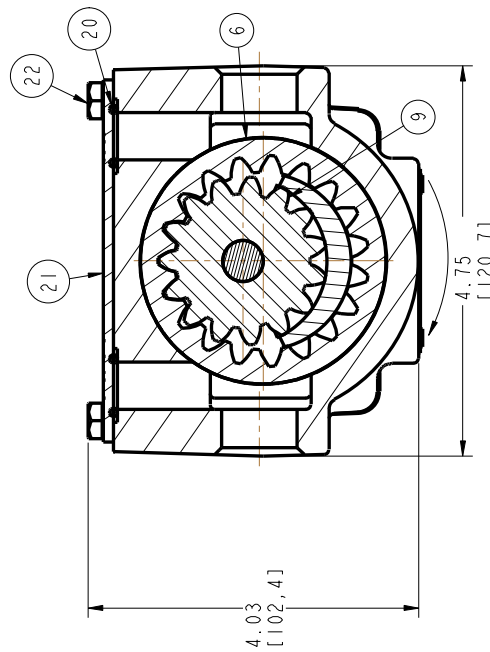
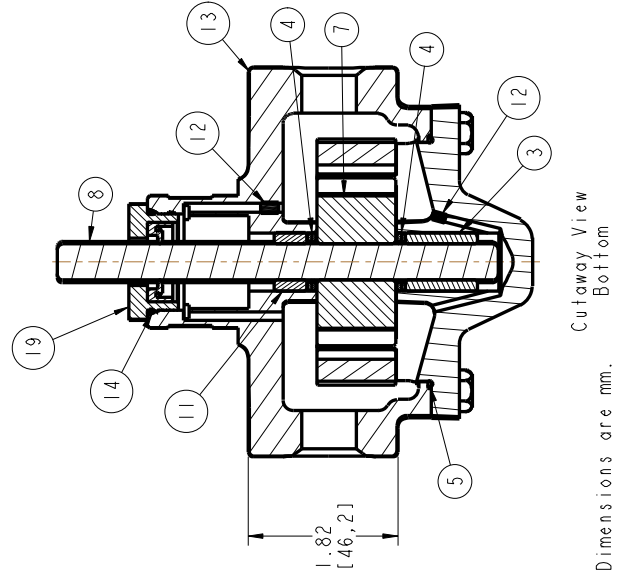
8U - 8GPM
 UNIVERSAL PUMP Revised 2008

8U - 8GPM HAIGHT PUMP

Item	Part Number	Description	Qty.
1	E90HC.6	Screw, Cover	4
2	ED830A	Cover	1
3	E11F	Bearing	1
4	E21E	Wiper Seal	1
5	E28E	O-Ring, Cover	1
6	ED826F1	Rotor	1
7	ED8C13PK	Shaft & Pinion Assembly	1
8	D814PK	Shaft	1
9	ED815C1	Pinion	1
10	E13C50	Key 1/8 Sq X 1/2 Lg	1
11	E11F2	Bearing	1
12	E49E	Set Screw, Vent	2
13	ED83AT	Case	1
14	E24SE	O-ring-Gland	1
15	E18E	Shaft Seal	2
19	E22SS3F4	Gland	1
20	SE2018N70	O-Ring, Cover Plate	2
21	ED530CP	Cover Plate	1
22	E90HC.5	Screw, Cover Plate	4



Right Side



Rotation Arrow Denotes
 Standard Clockwise Rotation
 Cutaway View
 Shaft End

Bracketed Dimensions are mm.

8U - 8 GPM
 Universal Pump - Revised 2008