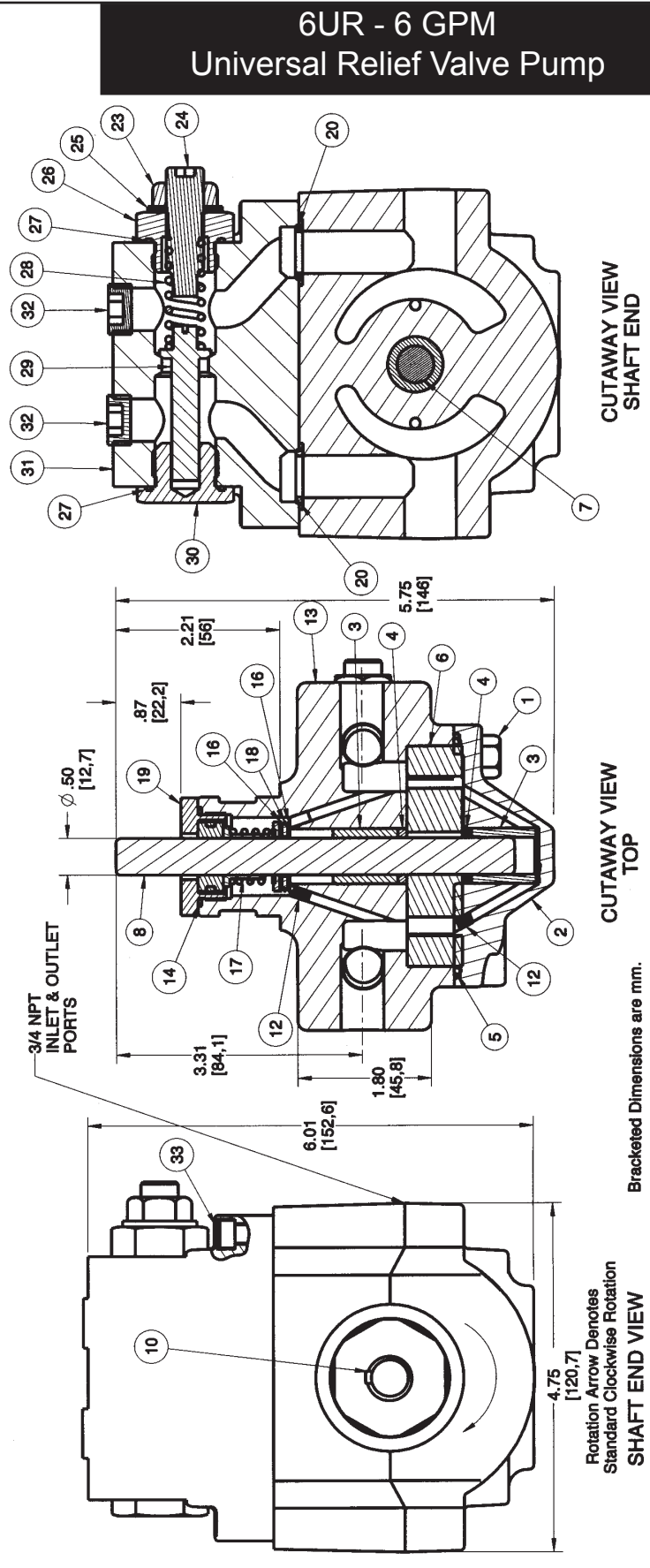


6UR - 6 GPM HAIGHT PUMP WITH RELIEF VALVE

| Item | Part Number | Description                  | Qty. |
|------|-------------|------------------------------|------|
| 1    | E90HC.6     | Screw, Cover                 | 4    |
| 2    | EG830A      | Cover                        | 1    |
| 3    | E11F        | Bearing                      | 2    |
| 4    | E21E        | Wiper Seal                   | 2    |
| 5    | SE2151N70   | O-ring-Cover                 | 1    |
| 6    | HJ169A      | Gerotor Set                  | 1    |
| 7    | EU6C13PK    | Gerotor Set & Shaft Assembly | 1    |
| 8    | D814PK      | Shaft                        | 1    |
| 10   | E13C50      | Key, 1/8 Sq X 1/2 Lg         | 1    |
| 12   | E49G        | Set Screw, Vent              | 2    |
| 13   | EG66A7      | Case                         | 1    |
| 14   | E24SE       | O-ring-Gland                 | 1    |
| 16   | E25C3       | Washer                       | 2    |
| 17   | E18AM       | Shaft Seal                   | 1    |
| 18   | E11TB2      | Thrust Bearing               | 1    |
| 19   | E22SS3F4    | Gland                        | 1    |
| 20   | SE2018N70   | O-Ring, Valve Body           | 2    |
| 23   | E64C        | Lock Nut                     | 1    |
| 24   | E55C        | Adjustment Screw             | 1    |
| 25   | E25N1       | Sealing Washer               | 1    |
| 26   | E57C        | Bonnet                       | 1    |
| 27   | SE2020N70   | O-Ring, Valve                | 2    |
| 28   | E52S        | Spring                       | 1    |
| 29   | E51C        | Poppet                       | 1    |
| 30   | E50C        | Cap                          | 1    |
| 31   | ED55A       | Valve Body                   | 1    |
| 32   | ZA285       | Pipe Plug                    | 2    |
| 33   | E90SC.8     | Screw, Valve Body            | 4    |



Rotation Arrow Denotes  
Standard Clockwise Rotation  
SHAFT END VIEW

CUTAWAY VIEW  
TOP

CUTAWAY VIEW  
SHAFT END

Bracketed Dimensions are mm.