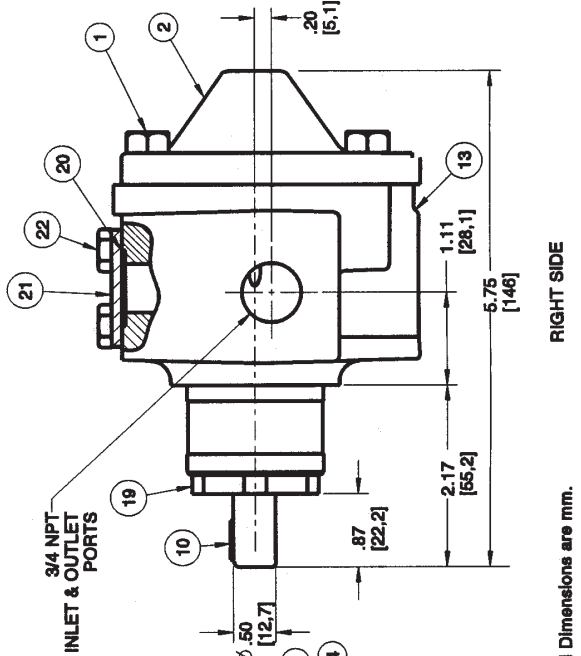
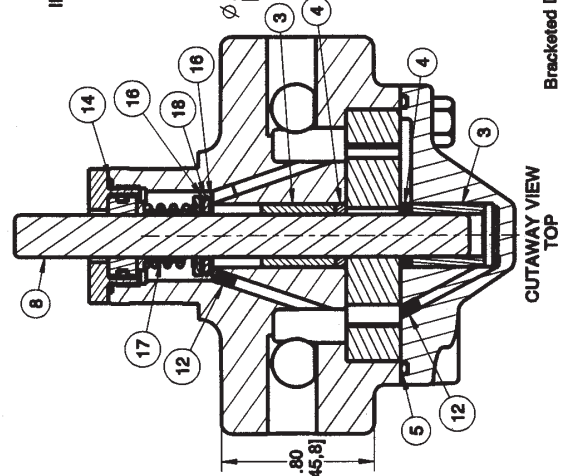
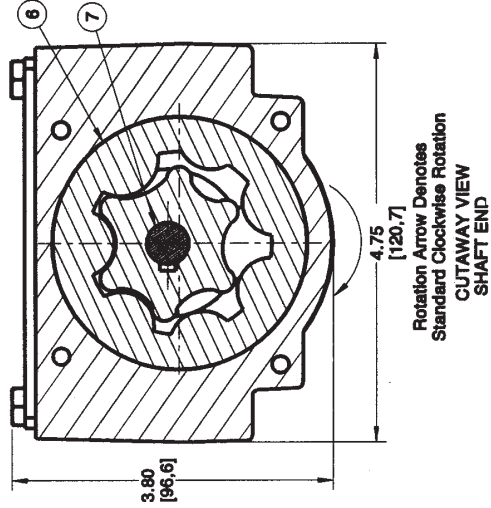


6U - 6 GPM HAIGHT PUMP

Item	Part Number	Description	Qty.
1	E90HC.6	Screw, Cover	4
2	EG830A	Cover	1
3	E11F	Bearing	2
4	E21E	Wiper Seal	2
5	SE2151N70	O-ring-Cover	1
6	HJ169A	Genrotor Set	1
7	DU6C13PK	Genrotor Set & Shaft Assembly	1
8	D814PK	Shaft	1
10	E13C50	Key, 1/8 Sq X 1/2 Lg	1
12	E49G	Set Screw, Vent	2
13	EG66A7	Case	1
14	E24SE	O-ring-Gland	1
16	E25C3	Washer	2
17	E18AM	Shaft Seal	1
18	E11TB2	Thrust Bearing	1
19	E22S3F4	Gland	1
20	SE2018N70	O-Ring, Cover Plate	2
21	ED530CP	Cover Plate	1
22	E90HC.5	Screw, Cover Plate	4



Bracketed Dimensions are mm.