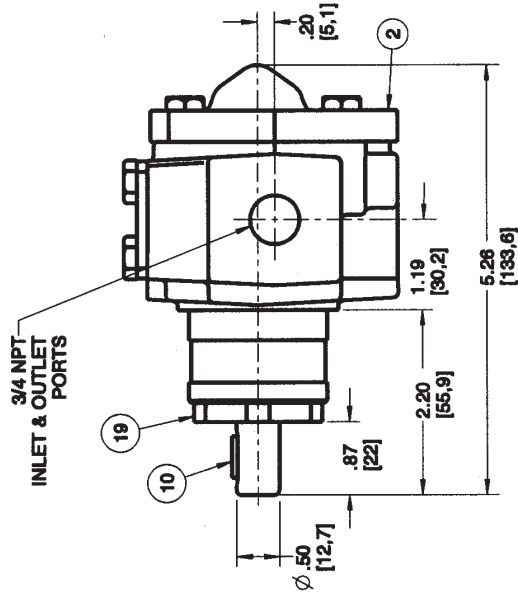
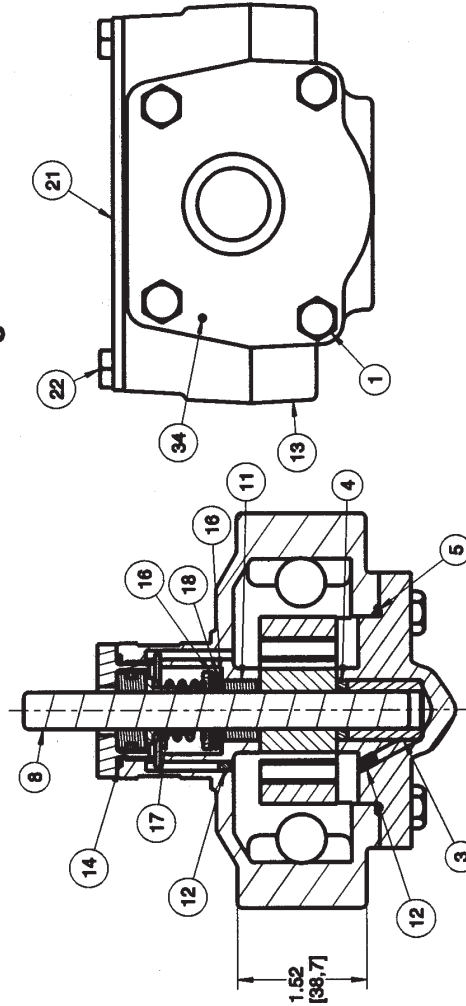


5U-5 GPM HAIGHT PUMP

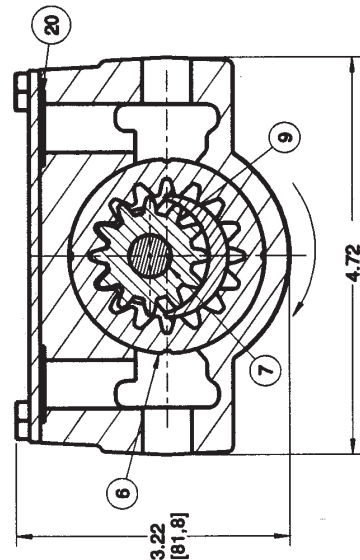
Item	Part Number	Description	Qty.
1	E90HC.6	Screw, Cover	4
2	ED630A	Cover	1
3	E11F	Bearing	1
4	E21E	Wiper Seal	1
5	E28E	O-Ring, Cover	1
6	D528F1	Rotor	1
7	D6C18PK	Shaft & Pinion Assembly	1
8	D514PK	Shaft	1
9	D616C1	Pinion	1
10	E18C50	Key 1/8 Sq X 1/2 Lg	1
11	E11F2	Bearing	1
12	E49E	Set Screw, Vent	2
13	ED66A7	Case	1
14	E24SE	O-ring-Gland	1
16	E26G3	Washer	2
17	E18AM	Shaft Seal	1
18	E11TB2	Thrust Bearing	1
19	E22SS3F4	Gland	1
20	SE2018N70	O-Ring, Cover Plate	2
21	ED530CP	Cover Plate	1
22	E90HC.5	Screw, Cover Plate	4
34	E41C	Pin	1



Right Side



Cutaway View  
Top



Rotation Arrow Denotes  
Standard Clockwise Rotation  
Cutaway View  
Shaft End

Cover End View

5U - 5 GPM  
Universal Pump

Bracketed Dimensions are mm.