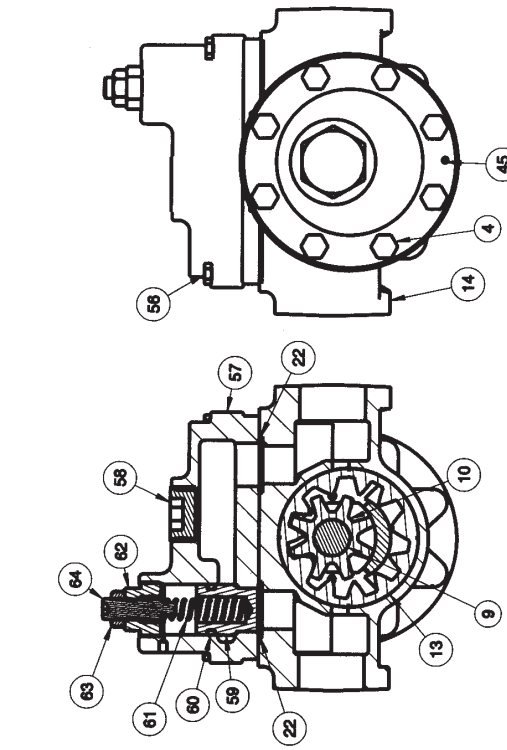
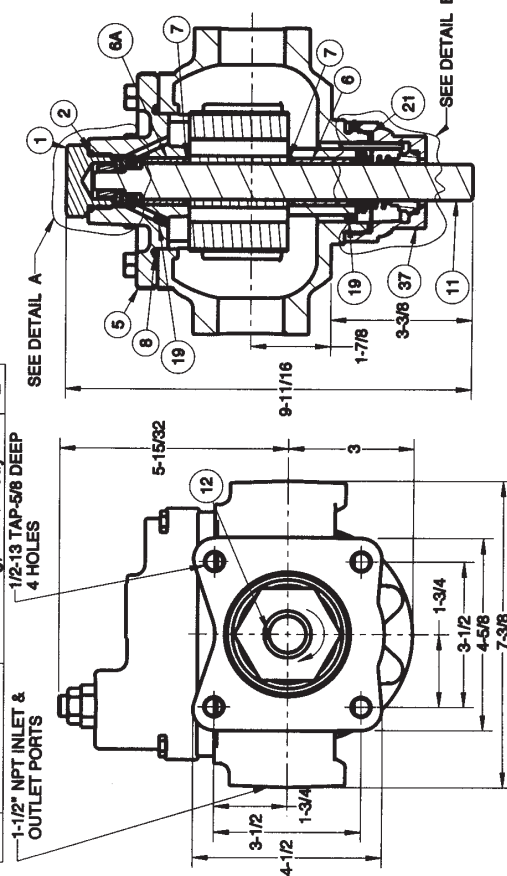
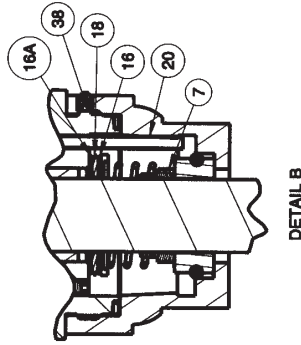
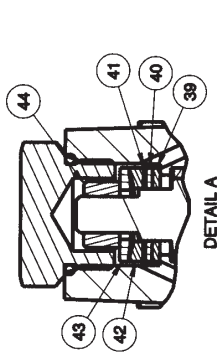


40UR - 40 GPM UNIVERSAL RELIEF VALVE PUMP

Item	Part No.	Description	Qty.	Item	Part No.	Description	Qty.
1	SAE16	Screw On Plug	1	37	H22SS2A	Gland	1
2	SE3916N70	O-Ring, Plug	1	38	E49D	Set Screw, Gland	4
4	KR364	Screw, Cover	8	39	F25C2	Washer	2
5	D4030A11	Cover	1	40	F11TB2	Thrust Bearing	1
6	H11F	Bearing	1	41	F25C3	Washer	1
6A	H11F	Bearing	1	42	F25C5	Spherical Washer	1
7	H21E	Wiper Seal	2	43	F25C4	Spherical Washer	2
8	H28E	O-Ring, Cover	1	44	ZA592A	Nut	1
9	DU40C13MC7	Shaft & Pinion Assembly	1	45	F41C	Pin	3
10	D4015C1	Pinion	1	56	E90HC1.2	Screw, Valve Body	1
11	D2014MC7	Shaft	1	57	FD55SA	Valve Body	1
12	F18C75	Key, 3/16 Sq X 3/4 Lg	1	58	F65C	Pipe Plug	1
13	D4026F1	Rotor	1	59	RVP05	Piston	1
14	D403A11L	Case	1	60	F92B	O-ring, Piston	1
16	H25C2	Washer	1	61	H52M	Spring	1
16A	H25C2	Washer	1	62	F58A	Bonnet	1
17	H18AM	Shaft Seal	1	63	E84JN	Nut	1
18	H11TB2	Thrust Bearing	1	64	F55C	Adjustment Screw	1
19	E49E	Set Screw, Vent	2				
20	F43C1	Pin	1				
21	SE2137N70	O-Ring, Gland	1				
22	SE2122N70	O-Ring, Valve Body	2				



40UR - 40 GPM  
Universal Relief Valve Pump

ROTATION ARROW DENOTES  
STANDARD CLOCKWISE ROTATION  
SHAFT END VIEW

CUTAWAY VIEW BOTTOM

CUTAWAY VIEW  
SHAFT END

COVER END VIEW