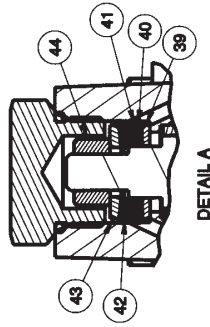


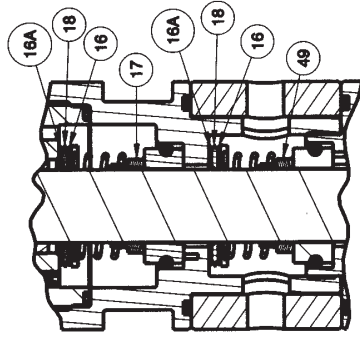
**BS40UR - 40 GPM Barrier Seal Pump w/Relief Valve**

**BS40UR-40 GPM Barrier Seal Pump With Relief Valve**

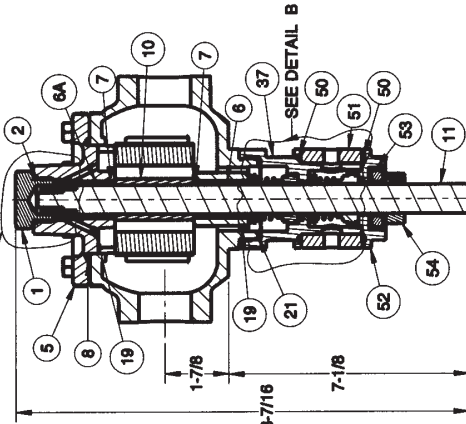
| Item | Part No.  | Description             | Qty. |
|------|-----------|-------------------------|------|
| 1    | SAE16     | Screw On Plug           | 1    |
| 2    | SE3918N70 | O-Ring, Plug            | 1    |
| 4    | KR384     | Screw, Cover            | 8    |
| 5    | D4030A11  | Cover                   | 1    |
| 6    | H11F      | Bearing                 | 1    |
| 6A   | H11F      | Bearing                 | 1    |
| 7    | H21E      | Wiper Seal              | 2    |
| 8    | H2BE      | O-Ring, Cover           | 1    |
| 9    | BS40C13MC | Shaft & Pinion Assembly | 1    |
| 10   | D4015C1   | Pinion                  | 1    |
| 11   | D4014MC8  | Shaft                   | 1    |
| 12   | F18C75    | Key, 3/16 Sq X 3/4 Lg   | 1    |
| 13   | D4028F1   | Rotor                   | 1    |
| 14   | D403A11L  | Case                    | 1    |
| 16   | H25C2     | Washer                  | 2    |
| 16A  | H25C2     | Washer                  | 2    |
| 17   | H18AM     | Shaft Seal, Primary     | 1    |
| 18   | H11TB2    | Thrust Bearing          | 2    |
| 19   | E49E      | Set Screw, Vert         | 2    |
| 21   | SE2137N70 | O-Ring, Gland           | 1    |
| 22   | SE2122N70 | O-Ring, Valve Body      | 2    |
| 37   | H22DD2F   | Gland                   | 1    |
| 38   | F25C2     | Washer                  | 1    |
| 40   | F11TB2    | Thrust Bearing          | 1    |
| 42   | F25C3     | Washer                  | 1    |
| 43   | F25C5     | Spherical Washer        | 1    |
| 43   | F25C4     | Spherical Washer        | 1    |
| 44   | ZA532A    | Nut                     | 1    |
| 45   | F41C      | Pin                     | 1    |
| 49   | H18AM     | Shaft Seal, Secondary   | 1    |
| 50   | SE3832N70 | O-Ring, Sleeve          | 2    |
| 51   | H33RDS    | Sleeve                  | 1    |
| 52   | H33SS3F   | Gland                   | 1    |
| 53   | H11TB     | Roller Bearing          | 1    |
| 54   | H19A      | Locking Collar          | 1    |
| 56   | E90HC1.2  | Screw, Valve Body       | 4    |
| 57   | FD55SSA   | Valve Body              | 1    |
| 58   | F65C      | Pipe Plug               | 1    |
| 59   | RVP05     | Piston                  | 1    |
| 60   | F92B      | O-ring, Piston          | 2    |
| 61   | H52M      | Spring                  | 1    |
| 62   | F56A      | Bonnet                  | 1    |
| 63   | E64JN     | Nut                     | 1    |
| 64   | F55C      | Adjustment Screw        | 1    |



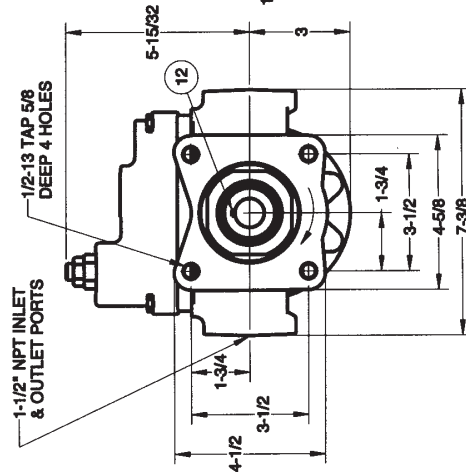
DETAIL A



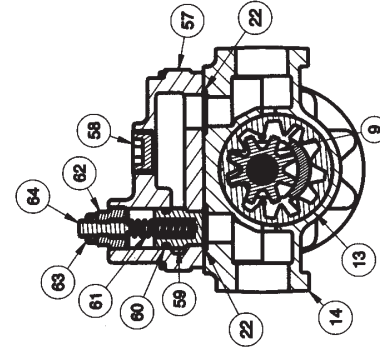
DETAIL B



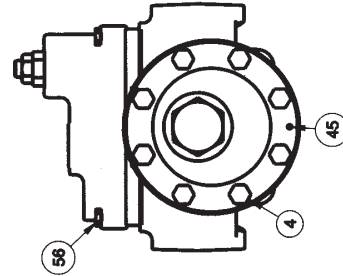
CUTAWAY VIEW  
BOTTOM



ROTATION ARROW DENOTES  
STANDARD CLOCKWISE ROTATION  
SHAFT END VIEW



CUTAWAY VIEW  
SHAFT END



COVER END VIEW

**BS40UR - 40 GPM Barrier Seal Pump w/Relief Valve**