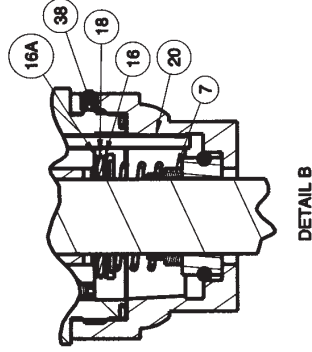
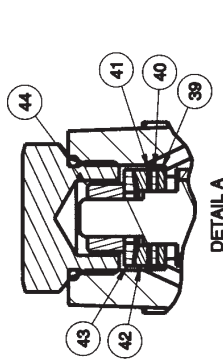


**30UR - 30 GPM
Universal Relief Valve Pump**

30UR - 30 GPM UNIVERSAL RELIEF VALVE PUMP

Item	Part No.	Description	Qty.
1	SAE16	Screw On Plug	1
2	SE3916N70	O-Ring, Plug	1
4	KR364	Screw, Cover	8
5	D3030A11	Cover	1
6	H11F	Bearing	1
6A	H11F	Bearing	1
7	H21E	Wiper Seal	2
8	H28E	O-Ring, Cover	1
9	DU30C13MC7	Shaft & Pinion Assembly	1
10	D3015C1	Pinion	1
11	D2014MC7	Shaft	1
12	F18C75	Key, 3/16 Sq X 3/4 Lg	1
13	D3026F1	Rotor	1
14	D403A11L	Case	1
16	H25C2	Washer	1
16A	H25C2	Washer	1
17	H18AM	Shaft Seal	1
18	H11TB2	Thrust Bearing	1
19	E49E	Set Screw, Vent	2
20	F43C1	Pin	1
21	SE2137N70	O-Ring, Gland	1
22	SE2122N70	O-Ring, Valve Body	2

Item	Part No.	Description	Qty.
37	H22SS2A	Gland	1
38	E49D	Set Screw, Gland	4
39	F25C2	Washer	2
40	F11TB2	Thrust Bearing	1
41	F25C3	Washer	1
42	F25C5	Spherical Washer	1
43	F25C4	Spherical Washer	2
44	ZA532A	Nut	1
45	F41C	Pin	3
56	E90HC1.2	Screw, Valve Body	1
57	FD55SA	Valve Body	1
58	F65C	Pipe Plug	1
59	RV/P05	Piston	1
60	F92B	O-ring, Piston	1
61	H52M	Spring	1
62	F56A	Bonnet	1
63	E64JN	Nut	1
64	F55C	Adjustment Screw	1



**30UR - 30 GPM
Universal Relief Valve Pump**

