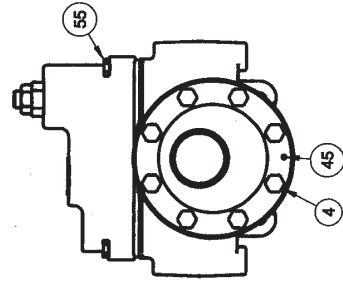
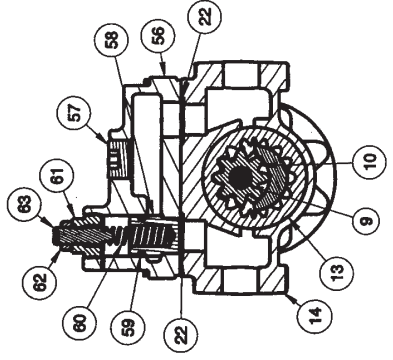
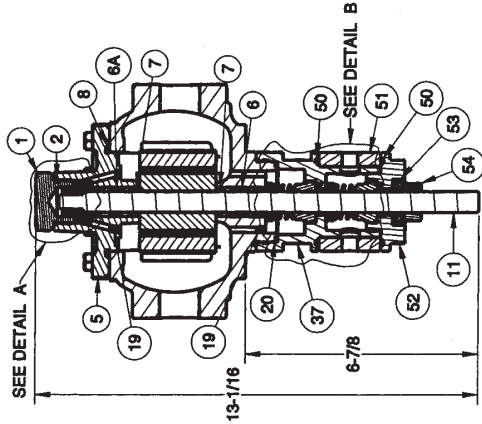
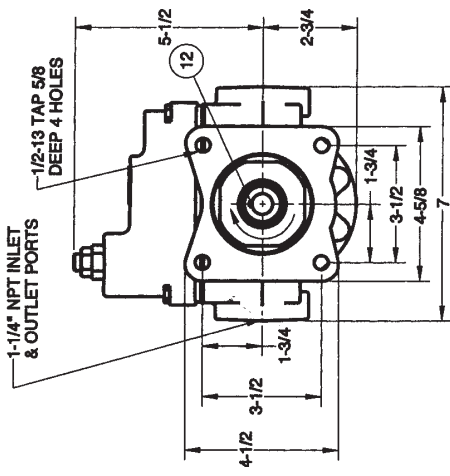
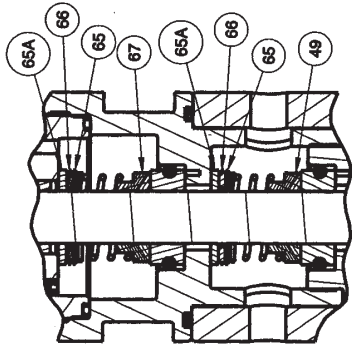
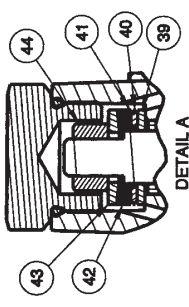


**BS20UR-20 GPM Barrier Seal Relief Valve Pump**

Item	Part No.	Description	Qty.
1	SAE16	Screw On Plug	1
2	SE3916N70	O-Ring, Plug	1
4	PC282	Screw, Cover	8
5	D2030A11	Cover	1
6	F11F	Bearing	1
6A	F11F	Bearing	1
7	F21E	Wiper Seal	2
8	F28E	O-Ring, Cover	1
9	BS20C13MC	O-Ring, Cover	1
10	D2015C1	Shaft & Pinion Assembly	1
11	D2014MC4	Pinion	1
12	F18C75	Shaft	1
13	D2028F1	Key, 3/16 Sq X 3/4 Lg	1
14	D203A11L	Rotor	1
18	E48E	Case	1
20	SE2137N70	Set Screw, Vent	2
22	SE2122N70	O-Ring, Gland	1
37	F22DD2F	O-Ring, Valve Body	2
39	F25C2	Gland	1
40	F11TB2	Washer	1
41	F25C3	Thrust Bearing	1
42	F25C5	Washer	1
43	F25C4	Washer	1
44	ZA532A	Nut	1
45	F41C	Pin	1
49	F18AM	Shaft Seal, Secondary	1
50	SE3332N70	O-ring, Sleeve	2
51	H33RDS	Sleeve	1
52	F33SS3F	Gland	1
53	F11TB	Roller Bearing	1
54	F19A	Locking Collar	1
56	E90HC1.2	Screw	4
57	FD55SA	Valve Body	1
58	F85C	Pipe Plug	1
59	RVP05	Piston	1
60	F92B	O-ring, Piston	1
61	H52M	Spring	1
62	F58A	Bonnet	1
63	E64JN	Nut	1
64	F55C	Adjustment Screw	1
65	F25C3	Washer	1
65A	F25C2	Washer	1
66	F11TB2	Thrust Bearing	1
67	F18AM	Shaft Seal, Primary	1



SHAFT END VIEW  
ROTATION ARROW DENOTES  
STANDARD CLOCKWISE ROTATION

CUTAWAY VIEW  
SHAFT END

COVER END VIEW