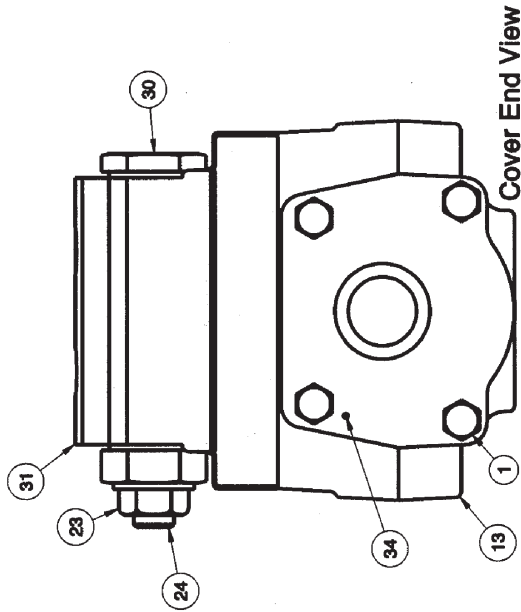


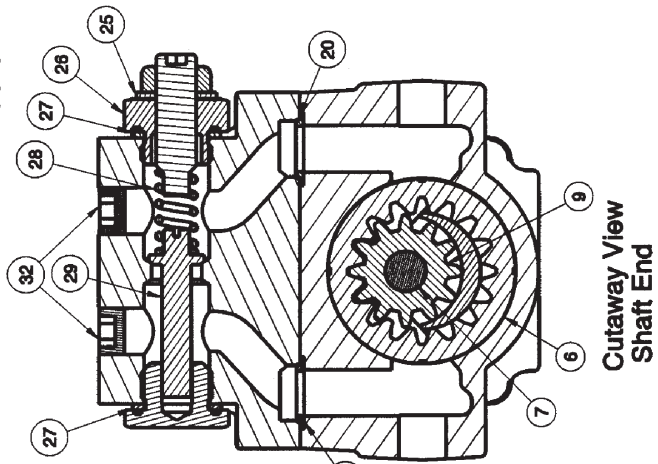
**1UR - 1 GPM
Universal Relief Valve Pump**

1UR - 1 GPM HAIGHT PUMP WITH RELIEF VALVE

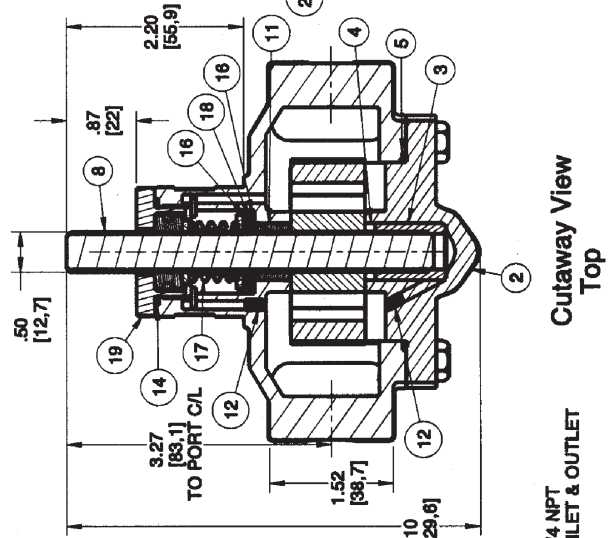
Item	Part Number	Description	Qty.
1	E90HC.8	Screw, Cover	4
2	ED130A	Cover	1
3	E11F	Bearing	1
4	E21E	Wiper Seal	1
5	E28E	O-Ring, Cover	1
6	D128F1	Rotor	1
7	D1C13PK	Shaft & Pinion Assembly	1
8	D514PK	Shaft	1
9	D115C1	Pinion	1
10	E18C50	Key, 1/8 Sq X 1/2 Lg	1
11	E11F2	Bearing	1
12	E49F	Set Screw, Vent	2
13	ED56A7	Case	1
14	E24SE	O-ring-Gland	1
16	E25C3	Washer	2
17	E18AM	Shaft Seal	1
18	E11TB2	Thrust Bearing	1
19	E22SS3F4	Gland	1
20	SE2018N70	O-Ring, Valve Body	2
23	E54C	Lock Nut	1
24	E55C	Adjustment Screw	1
25	E25N1	Sealing Washer	1
26	E57C	Bonnet	1
27	SE2020N70	O-Ring, Valve	2
28	E52S	Spring	1
29	E51C	Poppet	1
30	E50C	Cap	1
31	ED55A	Valve Body	1
32	ZA285	Pipe Plug	2
33	E90SC.8	Screw, Valve Body	4
34	E41C	Pin	1



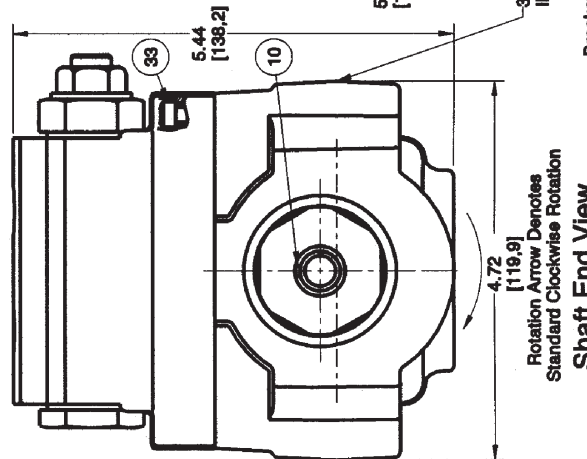
Cover End View



Cutaway View
Shaft End



Cutaway View
Top



Shaft End View

Bracketed Dimensions are mm.

**1UR -1 GPM
Universal Relief Valve Pump**